

# Specification Sheet

**TOSHIBA**  
Leading Innovation >>>



**E-CORE™**

**Product description** E-Core 2000  
**Model name** LEDD-20001L-LS24EU  
**Product Code** 752-10012  
**EAN code** 4974550392754

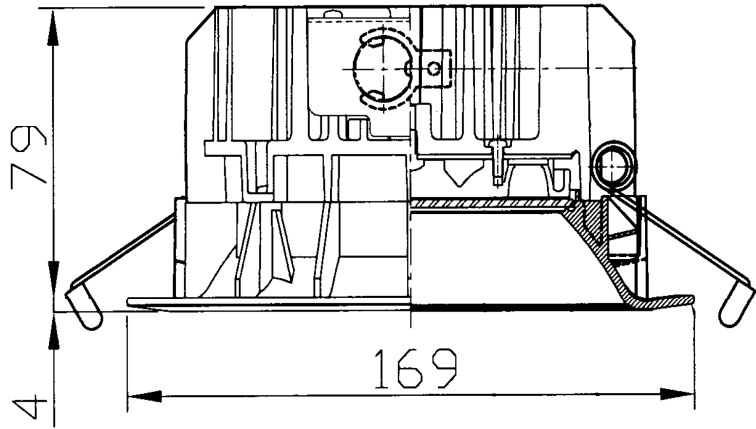


**■ The strong point of TOSHIBA E-CORE LED Lamp**

- Low energy and high efficacy.
- Mercury Free
- Instant illumination
- Low Heat Radiation
- Low UV radiation

**■ Technical DATA**

Voltage ( V )	220-240
Wattage ( W )	26.0
Frequency ( Hz )	50 / 60
Input current ( mA )	124-115
Beam Angle ( ° )	85
Colour Temperature ( K )	2,700
Colour Rendering Index ( Ra )	80
Average Lifetime ( h )	40,000
Dimming	Not dimmable
Overall Length ( mm )	79
Diameter ( mm )	169
Ceiling Cutout ( mm )	150
Net Weight per piece ( g )	2,500
Lumen Output ( lm )	1295
Lamp efficacy ( lm / W )	49.8
Lamp Power Factor	0.95-0.94



**■ Packaging Details**

Packaging Type(Std.Pkg.Q'ty)	Dimensions (LxWxH)	Gross Weight	EAN / ITF CODE
Gift Box (1pce)	300*300*150	2500 g	4974550392754

