

Specification Sheet



E-CORE™

Product description E-Core 2000
Model name LEDD-20001W-LS24EU
Product Code 752-10011
EAN code 4974550392747

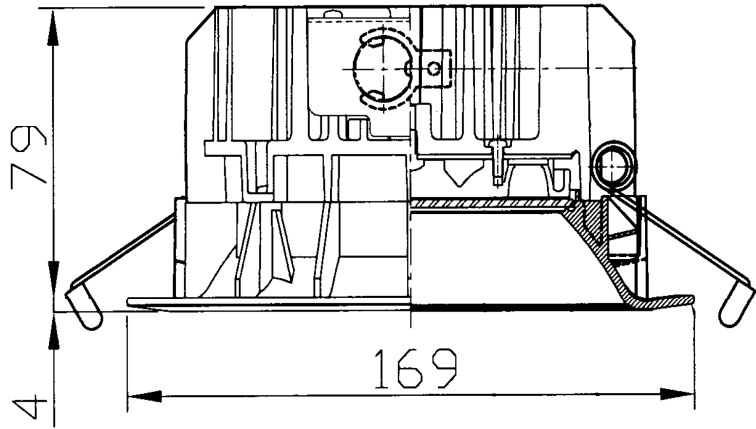


■The strong point of TOSHIBA E-CORE LED Lamp

- Low energy and high efficacy.
- Mercury Free
- Instant illumination
- Low Heat Radiation
- Low UV radiation

■Technical DATA

| | |
|-------------------------------|--------------|
| Voltage (V) | 220-240 |
| Wattage (W) | 26.0 |
| Frequency (Hz) | 50 / 60 |
| Input current (mA) | 124-115 |
| Beam Angle (°) | 85 |
| Colour Temperature (K) | 4,000 |
| Colour Rendering Index (Ra) | 80 |
| Average Lifetime (h) | 40,000 |
| Dimming | Not dimmable |
| Overall Length (mm) | 79 |
| Diameter (mm) | 169 |
| Ceiling Cutout (mm) | 150 |
| Net Weight per piece (g) | 2,500 |
| Lumen Output (lm) | 1460 |
| Lamp efficacy (lm / W) | 56.2 |
| Lamp Power Factor | 0.95-0.94 |



■Packaging Details

| Packaging Type(Std.Pkg.Q'ty) | Dimensions (LxWxH) | Gross Weight | EAN / ITF CODE |
|------------------------------|--------------------|--------------|----------------|
| Gift Box (1pce) | 300*300*150 | 2500 g | 4974550392754 |

