

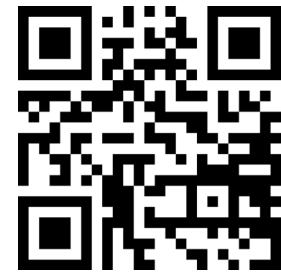


curtain

INSTRUCTIONS GUIDE | GUIDA ALLE ISTRUZIONI | GUIDE D'INSTRUCTIONS | BETRIEBSANLEITUNG | GUÍA DE INSTRUCCIONES | GUIA DE INSTRUÇÕES | HANDLEIDING | INSTRUKTIONSVEJLEDNING | ΚΑΥΤΤΟΠΑΣ |
INSTRUKTIONSVEJLEDNING | INSTRUKTIONSVEJLEDNING | LEIÐBEININGAR | NAVODILA ZA UPORABO | NÁVOD NA POUŽITÍ | NÁVOD K POUŽITÍ | KEZELÉSI UTASÍTÁS | GHID DE INSTRUCȚIUNI | РУКОВОДСТВО С
ИНСТРУКЦИИ | VODIČ ZA UPUTE | ΟΔΗΓΟΣ ΟΔΗΓΙΩΝ | TALIMATLAR KILAVUZU | INSTRUKCJA OBSŁUGI | РУКОВОДСТВО ПО ЭКСПЛУАТАЦИИ | РУКОВОДСТВО ПО ЭКСПЛУАТАЦИИ | インストラクションガイ
ド | 지침 안내 | 지침 안내

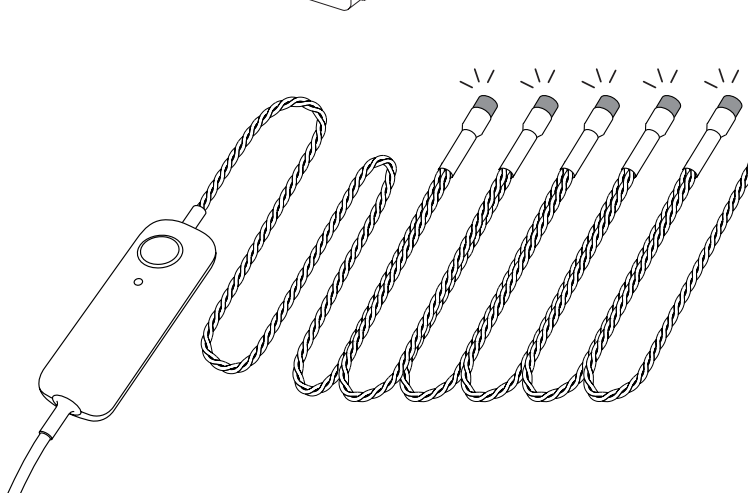
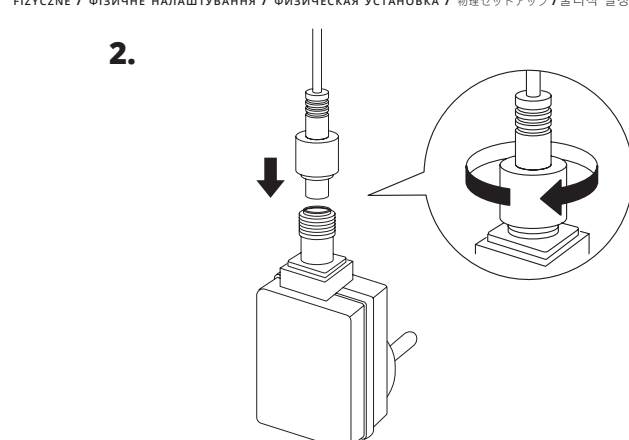
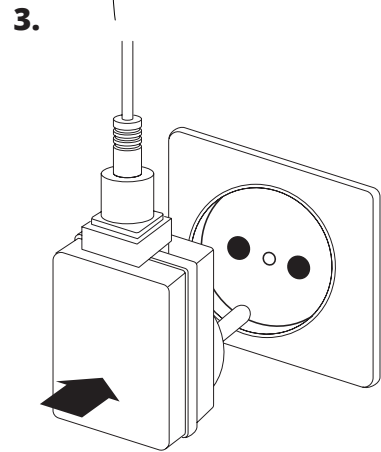
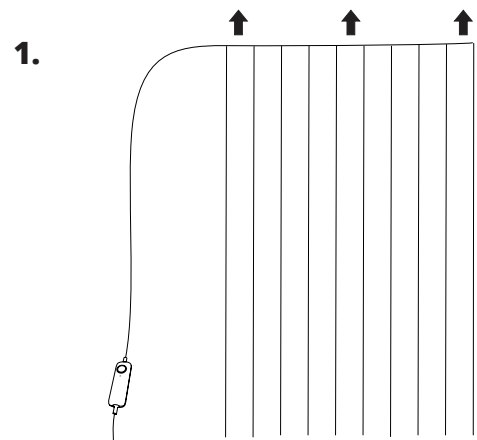
FOR INDOOR AND OUTDOOR USE | PER USO INTERNO ED ESTERNO | POUR USAGE INTÉRIEUR ET EXTÉRIEUR | FÜR DEN INNEN- UND AUSSENBEREICH | PARA USO EN INTERIORES Y AL AIRE LIBRE |
PARA USO INTERIOR E EXTERIOR | VOOR BINNEN- EN BUITENGEBRUIK | SISÄ- JA ULKOKÄYTTÖÖN | TIL INDENDØRS OG UDENDØRS BRUG | TIL INDENDØRS OG UDENDØRS BRUG | TIL INDENDØRS
OG UDENDØRS BRUG | IL NOTKUNAR INNAN- OG UTANDYRA | ZA NOTRANJO IN ZUNANJO UPORABO | PRE VNÚTORNÉ A VONKAJŠIE POUŽITIE | PRO VNITŘNÍ I VENKOVNÍ POUŽITÍ | BELTÉRI
ÉS KÜLTÉRI HASZNÁLATRA | PENTRU UZ INTERIOR ȘI EXTERIOR | ЗА ВЪТРЕШНА И ВЪНШНА УПОТРЕБА | ZA UNUTARNJU I VANJSKU UPOTREBU | ΓΙΑ ΕΣΩΤΕΡΙΚΗ ΚΑΙ ΕΞΩΤΕΡΙΚΗ ΧΡΗΣΗ | İÇ VE DIŞ
MEKAN KULLANIMI İÇİN | DO UŻYCIA WEWNĄTRZ I NA ZEWNĄTRZ | ДЛЯ ВНУТРЕННЕГО И НАРУЖНОГО ИСПОЛЬЗОВАНИЯ | ДЛЯ ВНУТРЕННЕГО И НАРУЖНОГО ИСПОЛЬЗОВАНИЯ | 屋内・屋外
兼用 | 실내 및 실외용

LEDWORKS S.R.L.
Via Tortona, 37 - 20144
Milano - Italy



DOWNLOAD THE TWINKLY APP AND FOLLOW THE SETUP PROCESS IN THE APP | SCARICATE L'APP TWINKLY E SEGUITE LA PROCEDURA DI CONFIGURAZIONE NELL'APPLICAZIONE | TÉLÉCHARGEZ L'APPLICATION TWINKLY ET SUIVEZ LE PROCESSUS D'INSTALLATION DANS L'APPLICATION. | LADEN SIE DIE TWINKLY-APP HERUNTER UND FOLGEN SIE DEM EINRICHTUNGSPROZESS IN DER APP | DESCARGA LA APLICACIÓN TWINKLY Y SIGUE EL PROCESO DE CONFIGURACIÓN DE LA APLICACIÓN | DESCARREGAR A APLICAÇÃO TWINKLY E SEGUIR O PROCESSO DE CONFIGURAÇÃO NA APLICAÇÃO | DOWNLOAD DE TWINKLY APP EN VOLG HET INSTALLATIEPROCES IN DE APP | DOWNLOAD TWINKLY-APPEN, OG FØLG OPSÆTNINGSPROCESSEN I APPEN | LATAA TWINKLY-SOVELLUS JA NOUDATA SOVELLUKSEN ASENNUSPROSESSIA | LADDA NER TWINKLY-APPEN OCH FÖLJ INSTALLATIONSPROCESSEN I APPEN | LAST NED TWINKLY-APPEN OG FØLG INSTALLASJONSPROCESSEN I APPEN | SÆKTU TWINKLY APPID OG FYLGDU UPPSETNINGARFERLINU Í APPINU | PRENĚSITE APLIKACIJO TWINKLY IN SLEDITE POSTOPKU NAMEŠTITVE V APLIKACIJI | STIAHNITE SI APLIKÁCIU TWINKLY A POSTUPUJTE PODLA POSTUPU NASTAVENIA V APLIKÁCIÍ | STÁHNĚTE SI APLIKACI TWINKLY A POSTUPUJTE PODLE POSTUPU NASTAVENÍ V APLIKACI | TÖLTSE LE A TWINKLY ALKALMAZÁST, ÉS KÖVESSE A BEÁLLÍTÁSI FOLYAMATOT AZ ALKALMAZÁSBAN | DESCĂRCĂȚI APLICAȚIA TWINKLY ȘI URMAȚI PROCESUL DE CONFIGURARE DIN APLICAȚIE | ИЗТЕГЛЕТЕ ПРИЛОЖЕНИЕТО TWINKLY И СЛЕДВАЙТЕ ПРОЦЕСА НА НАСТРОЙКА В ПРИЛОЖЕНИЕТО | PREUZMIȚE TWINKLY APLIKACIJU I SLIJEDITE POSTUPAK POSTAVLJANJA U APLIKACIJI | КАТЕΒΑΣΤΕ ΤΗΝ ΕΦΑΡΜΟΓΗ ΤWINKLY ΚΑΙ ΑΚΟΛΟΥΘΗΣΤΕ ΤΗ ΔΙΑΔΙΚΑΣΙΑ ΕΓΚΑΤΑΣΤΑΣΗΣ ΣΤΗΝ ΕΦΑΡΜΟΓΗ | TWINKLY UYGULAMASINI İNDİRİN VE UYGULAMADAKI KURULUM SÜRECİNİ TAKİR EDİN | ROBIERZ APLIKACJĘ TWINKLY I POSTĘPIJ ZGODNIE Z PROCESEM KONFIGURACJI W APLIKACJI | ЗАВАНТАЖИТИ ДОДАТОК TWINKLY ТА СЛІДУВАТИ ПРОЦЕСУ НАЛАШТУВАННЯ В ДОДАТКУ | ЗАГРУЗИТЕ ПРИЛОЖЕНИЕ TWINKLY И СЛЕДУЙТЕ ПРОЦЕДУРЕ НАСТРОЙКИ В ПРИЛОЖЕНИИ | TWINKLY 앱을 다운로드하고, 앱 내의 설정업手順に従ってください. | 트윙클 앱을 다운로드하고 앱에서 설정 과정을 따르세요.

physical setup



PHYSICAL SET-UP / CONFIGURAZIONE FISICA / CONFIGURATION PHYSIQUE / PHYSISCHE EINRICHTUNG / FYSIEKE OPSTELLING / MONTAJE FÍSICO / CONFIGURAÇÃO FÍSICA / FYSISK OPSÆTNING / FYSYINEN KOKOONPANO / FYSISK UPPBYGGNAD / FYSISK ÖPPSETT / LÍKAMLEG ÖPPSETNING / FIZIČNA POSTAVITEV / FYZICKÉ NASTAVENIE / FYZICKÉ NASTAVENÍ / FIZIKAI BEÁLLÍTÁS / CONFIGURATIE FIZICĂ / ФИЗИЧЕСКА НАСТРОЙКА / FIZIČKO POSTAVLJANJE / ΦΥΣΙΚΗ ΕΓΚΑΤΑΣΤΑΣΗ / FIZIKSEL KURULUM / USTAWIENIE FIZYCZNE / ФІЗИЧНЕ НАЛАШТУВАННЯ / ФІЗИЧЕСКАЯ УСТАНОВКА / 물리적 설정

1.

2.

3.

EN 1. Decorate your wall with Twinkly Curtain. Always keep the horizontal thread at the top and the controller on your left.
2. Connect the Twinkly Curtain, to the power adapter.
3. Plug the power adapter into a power socket, and the lights will switch on.

IT 1. Decora la tua parete con Twinkly Curtain. Tieni sempre il filo orizzontale in alto e il controller alla tua sinistra.
2. Collega Twinkly Curtain, all'alimentatore.
3. Collega l'alimentatore a una presa di corrente e le luci si accenderanno.

FR 1. Décorez votre mur avec Twinkly Curtain. Gardez toujours le fil horizontal en haut et la télécommande à votre gauche.
2. Connectez le Twinkly Curtain à l'adaptateur secteur.
3. Branchez l'adaptateur secteur dans une prise de courant et les lumières s'allumeront.

DE 1. Dekorieren Sie Ihre Wand mit Twinkly Curtain. Halten Sie den horizontalen Draht immer oben und den Controller links.
2. Schließen Sie den Twinkly Curtain an das Netzteil an.
3. Stecken Sie das Netzteil in eine Steckdose und das Licht wird eingeschaltet.

NL 1. Versier je muur met Twinkly Curtain. Hou altijd de horizontale draad bovenaan en de controller links van je.
2. Sluit de Twinkly Curtain aan op de voedingsadapter.
3. Steek de voedingsadapter in een stopcontact, de lampjes gaan aan.

ES 1. Decora tu pared con Twinkly Curtain. Mantén siempre el hilo horizontal en la parte superior y el mando a tu izquierda.
2. Conecta el Twinkly Curtain al adaptador de corriente.
3. Conecta el adaptador de corriente a una toma de corriente y las luces se encenderán.

PT 1. Decore a sua parede com Twinkly Curtain. Mantenha sempre o fio horizontal na parte superior e o controlador à sua esquerda.
2. Ligue o Twinkly Curtain, ao adaptador de energia.
3. Ligue o adaptador de corrente a uma tomada, e as luzes acender-se-ão.

DA 1. Dekorér din væg med Twinkly Curtain. Hold altid den vandrette kæde øverst og kontrollenheden til venstre.
2. Tilslut Twinkly Curtain til strømadapteren.
3. Sæt strømadapteren i en stikkontakt, og lysene tændes.

FI 1. Koristele seinäsi Twinkly Curtain. Pidä vaakalanka aina ylhäällä ja ohjain vasemmalla puolella.
2. Liitä Twinkly String virtasovittimeen.
3. Kytké sovitin pistorasiaan. Valot syttyvät.

SV 1. Dekorera väggen med Twinkly Curtain. Håll alltid den horisontella slingan överst och strykenheten till vänster.
2. Anslut Twinkly Curtain till strömadaptern.
3. Anslut strömadaptern till eluttaget så att lamporna tänds.

NO 1. Dekorér veggen din med Twinkly Curtain. Hold alltid den horisontale tråden øverst og kontrollér den på venstre side.
2. Koble Twinkly Curtain til strømadapteren.
3. Koble strømadapteren inn i en stikkontakt, og lysene slås på.

IS 1. Skreyttu tréð með Twinkly Curtain. Reyndu að raða ljósumum í spirál til að fá sem bestar niðurstöður. Byrjaðu alltaf frá miðju trénu og færðu þig upp og niður.
2. Tengdu Twinkly Curtain við straumbreytinn.
3. Settu straumbreytinn í samband við innstungu og þá kviknar á ljósumum.

SL 1. Okrasite stene z izdelkom Twinkly Curtain. Vodoravna vrstica naj bo vedno na vrhu, krmilnik pa na levi.
2. Priključite izdelek Twinkly Curtain na napajanje.
3. Priključite napajalnik v električno vtičnico in lučke se bodo prižgale.

SK 1. Ozdobte si stenu s Twinkly Curtain. Vždy majte vodorovný vodič na vrchu a ovládač na ľavej strane.
2. Pripojte Twinkly Curtain k napájaciemu adaptéru.
3. Zapojte napájací adapter do elektrickej zásuvky a svetlá sa rozsvetia.

CS 1. Ozdobte svou zeď pomocí Twinkly Curtain. Vždy mějte vodorovné vlákno nahore a ovladač na levé straně.
2. Připojte Twinkly Curtain k napájecímu adaptéru.
3. Zapojte napájecí adapter do elektrické zásuvky a světla se rozsvítí.

HU 1. Díszítse fel a falát Twinklyvel Curtain. A vízszintes szálát mindig tartsa felül, a vezérlőt pedig a bal oldalán.
2. Csatlakoztassa a Twinkly Curtain et a hálózati adapterhez.
3. Dugja be a hálózati adaptert egy csatlakozóaljzatba, és a lámpák kigyulladnak.

RO 1. Decorează-ți peretele cu cortina Twinkly Curtain. A Țineți întotdeauna firul orizontal în partea de sus și controlerul în stânga.
2. Conecteați Twinkly Curtain la adaptorul de alimentare.
3. Conecteați adaptorul de alimentare la o priză și luminile se vor aprinde.

BG 1. Украсете стената си със завесата Twinkly. Винаги дръжте хоризонталната нишка отгоре, а контролера отляво.
2. Съвържете Twinkly Curtain към захранващия адаптер.
3. Включете захранващия адаптер в електрически контакт и светлините ще се включат.

HR 1. Ukrasite svoj zid Svetlucavom zavjesom. Vodoravnu nit uvijek držite na vrhu, a kontroler s lijeve strane.
2. Povežite Twinkly Curtain, na adapter za napajanje.
3. Priključite adapter za napajanje u utičnicu i svjetla će se uključiti.

GR 1. Διακοσμήστε τον τοίχο σας με Twinkly Curtain. Κρατήστε πάντα το οριζόντιο νήμα στην κορυφή και το χειριστήριο στα αριστερά σας.
2. Συνδέστε τα Twinkly Curtain, στον προσαρμογέα ρεύματος.
3. Συνδέστε τον προσαρμογέα ρεύματος σε μια πρίζα και τα φώτα θα ανάψουν.

TR 1. Duvarınızı Twinkly Curtain ile süsleyin. Yatay ipliği daima üstte ve kumandayı solunuza tutun.
2. Pritilni İpleri güç adaptörüne bağlayın.
3. Güç adaptörünü bir elektrik prizine takın ve ışıklar yanacaktır.

PL 1. Udekoruj swoją ścianę za pomocą Twinkly Curtain. Zawsze trzymaj poziomą nitkę u góry, a regulator po lewej stronie.
2. Podłącz produkt do Twinkly Curtain zasilacza.
3. Podłączyc zasilacz do gniazdka elektrycznego, światła zaświecą się.

UA 1. Прикрasьте стіну за допомогою Twinkly Curtain. Горизонтальна дiянка гірлянди має бути вгорі, а контролер – зліва.
2. Під'єднайте Twinkly Curtain до адаптера живлення.
3. Під'єднайте адаптер живлення до електромережі, і вогні ввімкнуться.

RU 1. Украсьте стену с помощью Twinkly Curtain. Всегда располагайте гирлянду-шторку вверх, а контролер — слева.
2. Подключите Twinkly Curtain к адаптеру питания.
3. Подключите адаптер питания к розетке, чтобы включить гирлянду.

JP 1. Twinkly Curtainで壁を飾ろう。横糸は常に上部に、コントローラーは左側に置いてください。
2. Twinkly Curtainを電源アダプターに接続します。
3. 電源アダプターをコンセントに差し込むと、ライトが点灯します。

KR 1. 트윙클 커튼으로 벽을 장식하세요. 항상 가로 실은 상단에, 컨트롤러는 왼쪽에 두세요.
2. 트윙클 스트링을 전원 어댑터에 연결합니다.
3. 전원 어댑터를 전원 콘센트에 꽂으면 조명이 켜집니다.

attention

EN Read and follow all safety instructions.

- READ AND FOLLOW ALL SAFETY INSTRUCTIONS.
- Do not mount or place near gas or electric heaters, fireplaces, candles, or other similar sources of heat.
- The external flexible cable or cord of this luminaire cannot be replaced; if the cord is damaged, the luminaire shall be destroyed. The light source of this luminaire is not replaceable; when the light source reaches its end of life the whole luminaire shall be replaced.
- This article is not suitable for room illumination and it is only for decoration purpose.
- Do not secure the wiring of the product with staples or nails, or place on sharp hooks or nails.
- Do not let lamps rest on the supply cord or on any wire.
- Unplug the product when leaving the house, or when retiring for the night, or if left unattended.
- This is an electric product — not a toy! To avoid the risk of fire, burns, personal injury, and electric shock it should not be played with or placed where small children can reach it.
- Do not use this product for other than its intended use.
 - Do not hang ornaments or other objects from the cord, wire, or light string.
- Do not connect the product with cloth, paper, or any material not part of the product when in use.
- Do not close doors or windows on the product or extension cords as this may damage the wire insulation.
- Read and follow all instructions that are on the product or provided with the product.
- SAVE THESE INSTRUCTIONS.
- Do not connect the chain to the supply while it is in the packing.
- Where breakage or damage to lamps occurs the chain must not be used/energised but disposed of safely.
- The lamps are not replaceable.
- WARNING – RISK OF ELECTRIC SHOCK IF LAMPS ARE BROKEN OR MISSING. DO NOT USE.

Use and care instructions

- When the product is placed on a live tree, the tree should be well maintained and fresh. Do not place on live trees in which the needles are brown or break off easily. Keep the live tree holder filled with water.
- If the product is placed on a tree, the tree should be well-secured and stable.
- Before using or reusing, inspect the product carefully. Discard any products that have cut, damaged, or frayed wire insulation or cords, cracks in the lamp holders or enclosures, loose connections, or exposed copper wire.
- When storing the product, carefully remove the product from wherever it is placed, including trees, branches, or bushes, to avoid any undue strain or stress on the product conductors, connections, and wires.
- When not in use, store neatly in a cool, dry location protected from sunlight.

WARNING - To reduce the risk of fire and electric shock:

- Do not install on trees having needles, leaves or branch coverings of metal or materials which look like metal.
- Do not mount or support wires in a manner that can cut or damage wire insulation.

Class A Disclaimer: This equipment has been tested and found to comply with the limits for a Class A digital device, pursuant to Part 15 of the FCC Rules. These limits are designed to provide reasonable protection against harmful interference in a residential installation. This equipment generates, uses and can radiate radio frequency energy and, if not installed and used in accordance with the instructions, may cause harmful interference to radio communications. However, there is no guarantee that interference will not occur in a particular installation. If

ATTENTION / ATTENZIONE / ATTENTION / ACHTUNG / ATENCIÓN / ATENÇÃO / AANDACHT / HUOMIO / ВЕМЪРК / OBS / MERK FØLGENDE / ATHUGID / POZOR / UPOZORNENIE / POZOR / FIGYELEM / ATENȚIE / ВНИМАНИЕ / PAŽNJA / ΠΡΟΣΟΧΗ / ΔΙΚΚΑΤ / ATENȚIE / UWAGA / УВАГА / ВНИМАНИЕ / 注意度 / 警告

this equipment does cause harmful interference to radio or television reception, which can be determined by turning the equipment off and on, the user is encouraged to try to correct the interference by one or more of the following measures:

- Reorient or relocate the receiving antenna.
- Increase the separation between the equipment and receiver.
- Connect the equipment into an outlet on a circuit different from that to which the receiver is connected.
- Consult the dealer or an experienced radio/television technician for help.

Compatibility Disclaimer

Wireless performance is dependent on your device's Bluetooth/WiFi wireless technology, please refer to your device's manufacturer. Ledworks SRL will not be liable for any lost of data or leakages resulting from the use of these devices.Consult the dealer or an experienced radio/television technician for help.

WARNING!

Do not connect the light string to the power supply while it is in the packaging. The connecting cable cannot be repaired or replaced. THE LAMPS ARE NOT REPLACEABLE. The lighting chain must not be used without all gaskets being in place. Lighting chains don't intend for interconnection. Do not connect this light string electrically to devices from another manufacturer. CAUTION! Strangulation hazard. Keep out of reach of young children.



The crossed-out wheeled bin symbol indicates that the item should be disposed of separately from household waste. The item should be handed in for recycling in accordance with local environmental regulations for waste disposal.

The manufacturer, Ledworks Srl, declares that this device complies with the (LVD) 2014/35/EU, (RED) 2014/53/EU, (EMC) 2014/30/EU, (RoHS) 2011/65/EU, (REACH) 1907/2006 directives. The full text of the EU declaration of conformity is available at the following Internet address: **www.twinkly.com/certifications**

System Requirement

The minimum system requirement for mobile phones are iOS 11 and Android 5 Check the app store for the latest update to ensure the best performance.

Premium grade LED diodes

To ensure high color rendering, Twinkly products only use high-quality LEDs. Twinkly's RGB and RGB+W products are produced according to quality principles and processes that allow us to obtain a high degree of primary color purity. The minimum excitation purity values of the Blue, Green and Red components are shown within the table below.

Bluetooth Licensing

The Bluetooth Bluetooth® word mark and logos are registered trademarks owned by Bluetooth SIG, Inc. and any use of such marks by Ledworks SRL is under license. Other trademakrs and trade names are those of their respective owners.

Operating RF for 802.11 b/g/n Wi-Fi / Bluetooth V4.2 BR/EDR/LE	Color Purity values
Frequency 2402/2480 Mhz	Blue > 90%
Max output Power <100mW	Green > 65%
	Red > 95%

* values apply only to RGB (STP) and RGBW (SPP) products, not AWW (GOP) products

IT Leggi e segui tutte le istruzioni di sicurezza.

- LEGGI E SEGUI TUTTE LE AVVERTENZE DI SICUREZZA.
- Non montare o collocare il prodotto vicino a riscaldatori a gas o elettrici, caminetti, candele o altre fonti di calore simili.
- Il cavo flessibile esterno di questo apparecchio non può essere sostituito; se il cavo è danneggiato, l'apparecchio deve essere distrutto. La sorgente luminosa di questo apparecchio non è sostituibile; quando la sorgente luminosa giunge a fine vita, l'intero apparecchio deve essere sostituito.
- Questo articolo non è adatto per l'illuminazione degli ambienti ed è solo a scopo decorativo.
- Non fissare il cablaggio del prodotto con graffette o chiodi, o collocarlo su ganci appuntiti o chiodi.
- Non lasciare che le lampadine poggino sul cavo di alimentazione o su qualsiasi filo.
- Scollega il prodotto quando esci di casa, quando vai a dormire o se lo lasci incustodito.
- Questo è un prodotto elettrico, non un giocattolo. Per evitare il rischio d'incendi, ustioni, lesioni personali e scosse elettriche deve essere maneggiato con cautela e collocato in un punto in cui i bambini piccoli non possano raggiungerlo.
- Non utilizzare questo prodotto per un uso diverso da quello previsto.
- Non appendere ornamenti o altri oggetti al cavo o al filo luminoso.
- Non coprire il prodotto con panni, carta o altro materiale che non fa parte del prodotto durante l'uso.
- Non chiudere porte o finestre sul prodotto o prolunghie poiché ciò potrebbe danneggiare l'isolamento dei cavi.
- Leggi e segui tutte le istruzioni indicate sul prodotto o fornite con il prodotto.
- CONSERVA QUESTE ISTRUZIONI.
- Non collegare il filo luminoso alla rete mentre è nella confezione.
- In caso di rottura o danneggiamento delle lampadine, il filo luminoso non deve essere utilizzato/alimentata ma smaltita in modo sicuro.
- Le lampadine non sono sostituibili.
- AVVERTENZA: SE LE LAMPADINE SONO ROTTE O MANCANTI, VI È RISCHIO DI SCOSSA ELETTRICA. NON USARE.

Istruzioni per l'uso e la cura

- Quando il prodotto è posto su un albero vivo, l'albero deve essere ben mantenuto e fresco. Non collocare su alberi vivi in cui gli aghi sono marroni o si spezzano facilmente. Tieni il porta-albero vivo pieno d'acqua.
- Se il prodotto viene posto su un albero, l'albero deve essere ben fissato e stabile.
- Prima dell'uso o del riutilizzo, ispeziona attentamente il prodotto. Elimina tutti i prodotti che hanno l'isolamento o i cavi tagliati, danneggiati o sfilacciati, crepe nei portalampade o negli involucri, le connessioni allentate o il filo di rame esposto.
- Durante la conservazione del prodotto, rimuovilo con cura da qualsiasi luogo in cui è collocato, compresi alberi, rami o cespugli, per evitare qualsiasi sforzo o sollecitazione eccessiva sui conduttori, sulle connessioni e sui fili del prodotto.
- Quando il prodotto non è in uso, conservalo con cura in un luogo fresco e asciutto, al riparo dalla luce solare.

ATTENZIONE - Per ridurre il rischio di incendio e scosse elettriche:

- Non installarlo su alberi con aghi, foglie o rami di metallo o materiali che assomigliano al metallo.
- Non montare o sostenere i fili in modo da tagliare o danneggiare il materiale isolante.

Dichiarazione di non responsabilità di classe A: questa apparecchiatura è stata testata e trovata conforme ai limiti per un dispositivo digitale di Classe A, in conformità alla Parte 15 delle Norme FCC. Questi limiti sono progettati per fornire una protezione ragionevole contro interferenze dannose in un'installazione residenziale. Questa apparecchiatura genera, utilizza e può irradiare energia in radiofrequenza e, se non installata e utilizzata secondo le istruzioni, può causare interferenze dannose alle comunicazioni radio. Tuttavia, non vi è alcuna garanzia che non si verifichino interferenze in una particolare installazione. Se questa apparecchiatura

7

causa interferenze dannose alla ricezione radio o televisiva, che possono essere determinate spegnendo e riaccendendo l'apparecchio, l'utente è incoraggiato a provare a correggere l'interferenza adottando una o più delle seguenti misure:

- Riorientare o riposizionare l'antenna ricevente.
- Aumentare la separazione tra l'apparecchiatura e il ricevitore.
- Collegare l'apparecchiatura a una presa su un circuito diverso da quello a cui è collegato il ricevitore.
- Consultare il rivenditore o un tecnico radiotelevisivo esperto per assistenza.

Esclusione di compatibilità

Le prestazioni wireless dipendono dalla tecnologia wireless Bluetooth/WiFi del dispositivo; consultare il produttore del dispositivo. Ledworks SRL non sarà responsabile di eventuali perdite di dati o dispersioni derivanti dall'uso di questi dispositivi.

ATTENZIONE!

Non collegare l'illuminazione alla corrente elettrica quando è ancora nella confezione. Il cavo di collegamento non può essere riparato o sostituito. LE LAMPADINE NON SONO SOSTITUIBILI. La catena di luci non può essere utilizzata senza tutte le guarnizioni presenti e intatte. Le catene di luci non possono essere fisicamente collegate tra loro. Non collegare elettricamente questa illuminazione a dispositivi di un altro produttore. ATTENZIONE! Pericolo di strangolamento. Tenere fuori dalla portata dei bambini.



Il simbolo del bidone della spazzatura barrato indica che l'articolo deve essere smaltito separatamente dai rifiuti domestici. L'articolo deve essere consegnato per il riciclaggio in conformità con le normative ambientali locali per lo smaltimento dei rifiuti.

Il fabbricante Ledworks srl dichiara che questo dispositivo è conforme alle direttive (LVD) 2014/35/EU, (RED) 2014/53/EU, (EMC) 2014/30/EU, (RoHS) 2011/65/EU. Il testo completo della dichiarazione di conformità UE è disponibile al seguente indirizzo Internet: **www.twinkly.com/certifications**

Requisito del sistema	Specifiche Tecniche
I requisiti minimi di sistema per i telefoni cellulari sono iOS 11 e Android 5 Controlla l'app store per l'ultimo aggiornamento per garantire le migliori prestazioni.	Alimentazione: vedi etichetta Protezione IP: IP44

Diodi LED di qualità premium

Per garantire un'elevata resa cromatica, i prodotti Twinkly utilizzano solo LED di alta qualità. I prodotti RGB e RGB+W di Twinkly sono realizzati secondo principi e processi di qualità che ci consentono di ottenere un alto grado di purezza dei colori primari.

I valori minimi di purezza di eccitazione dei componenti Blu, Verde e Rosso sono riportati nella tabella sottostante.

Licenze Bluetooth

Il marchio e i loghi Bluetooth® sono marchi registrati di proprietà di Bluetooth SIG, Inc. e qualsiasi uso di tali marchi da parte di Ledworks SRL è concesso in licenza. Altri marchi e nomi commerciali appartengono ai rispettivi proprietari.

RF operativo per 802.11 b/g/n Wi-Fi / Bluetooth V4.2 BR/EDR/LE	Valori di purezza del colore
Frequenza 2402/2480 Mhz	Blu > 90%
Potenza massima in uscita <100mW	Verde > 65%
	Rosso > 95%

* I valori si applicano solo ai prodotti RGB (STP) e RGBW (SPP), non ai prodotti AWW (GOP)

FR Lisez et suivez toutes les instructions de sécurité.

- LISEZ ET RESPECTEZ TOUTES LES CONSIGNES DE SÉCURITÉ.
- N'installez pas l'appareil à proximité d'appareils de chauffage au gaz ou électriques, de foyers, de bougies ou d'autres sources de chaleur similaires.
- Le câble flexible externe ou cordon de ce luminaire ne peut pas être remplacé ; si le cordon

est endommagé, le luminaire doit être détruit. La source lumineuse de ce luminaire n'est pas remplaçable ; lorsque la source lumineuse atteint sa fin de vie, le luminaire entier doit être remplacé.

4. Cet article ne convient pas à l'éclairage d'une pièce et n'a qu'un but décoratif.

5. Ne fixez pas les câbles du produit avec des agrafes ou des clous, et ne les placez pas sur des crochets ou des clous pointus.

6. Ne laissez pas les lampes reposer sur le cordon d'alimentation ou sur un fil électrique.

7. Débranchez l'appareil lorsque vous quittez la maison, avant d'aller vous coucher ou s'il est laissé sans surveillance.

8. Ce produit est un appareil électrique, pas un jouet ! Pour éviter les risques d'ncendie, de brûlures, de blessures et d'électrocution, il ne doit pas être utilisé pour jouer ou être placé dans un endroit accessible aux jeunes enfants.

9. N'utilisez pas ce produit à d'autres fins que celles auxquelles il est destiné.

10. N'accrochez pas d'ornements ou d'autres objets sur le cordon, le fil électrique ou la guirlande lumineuse.

11. Ne couvrez pas le produit avec du tissu, du papier ou toute autre matière ne faisant pas partie du produit lorsqu'il est utilisé.

12. Ne fermez pas des portes ou des fenêtres sur le produit ou les rallonges électriques car cela pourrait endommager la gaine isolante du fil.

13. Lisez et respectez toutes les consignes indiquées sur le produit ou fournies avec celui-ci.

14. CONSERVEZ CES CONSIGNES.

15. Ne connectez pas la chaîne à l'alimentation lorsqu'elle est dans l'emballage.

16. En cas de bris ou d'endommagement des ampoules, la chaîne ne doit pas être utilisée/sous tension, mais éliminée en toute sécurité.

17. Les lampes ne sont pas remplaçables.

18. AVERTISSEMENT – RISQUE DE CHOC ÉLECTRIQUE SI LES LAMPES SONT CASSÉES OU MANQUANTES. NE PAS UTILISER.

Consignes d'utilisation et d'entretien

a. Lorsque le produit est placé sur un arbre vivant, l'arbre doit être bien entretenu et en bonne santé. Ne placez pas le produit sur les arbres vivants dont les aiguilles sont de couleur marron ou cassantes. Pensez à remplir d'eau le pot de l'arbre vivant.

b. Si le produit est placé sur un arbre, l'arbre doit être fixe et stable.

c. Avant d'utiliser ou de réutiliser le produit, inspectez-le soigneusement. Jetez tout produit dont les câbles ou les cordons ont une gaine isolante entaillée, endommagée ou effilochée, avec des fissures sur les douilles des lampes ou les boîtiers, des raccords desserrés ou du fil de cuivre apparent.

d. Lors du rangement du produit, retirez soigneusement le produit de l'endroit où il est placé, y compris les arbres, les branches ou les buissons, pour éviter toute déformation ou dégradation des conducteurs, des branchements et des fils du produit.

e. Lorsqu'il n'est pas utilisé, rangez soigneusement le produit dans un endroit frais et sec, à l'abri de la lumière du soleil.

AVERTISSEMENT - Pour réduire le risque d'incendie et de choc électrique :

a. a. Ne l'installez pas sur des arbres dont les aiguilles, les feuilles ou les branches sont recouvertes de métal ou de matériaux ressemblant à du métal.

b. Ne montez pas ou ne soutenez pas les fils d'une manière qui pourrait couper ou endommager l'isolation des fils.

Clause de non-responsabilité de classe A: cet appareil a été testé et déclaré conforme aux limites imposées aux appareils numériques de classe A, conformément à la section 15 des normes FCC. Ces limites sont conçues pour fournir une protection raisonnable contre les interférences nuisibles dans une installation résidentielle. Cet appareil génère, utilise et peut émettre de l'énergie de fréquence radio et, s'il n'est pas installé et utilisé conformément aux instructions, il peut causer des interférences nuisibles aux communications radio. Cependant, rien ne garantit que des interférences ne se produiront pas dans une installation particulière.

Si cet appareil provoque des interférences nuisibles avec la réception de radio ou de télévision, qui peuvent se vérifier en éteignant et en rallumant l'appareil, l'utilisateur est invité à tenter de corriger l'interférence en appliquant l'une ou plusieurs des mesures suivantes:

- Réorientez ou déplacez l'antenne de réception.

- Augmentez la distance entre l'appareil et le récepteur.

- Branchez l'appareil sur une prise d'un circuit différent de celui auquel le récepteur est connecté.

- Consultez le revendeur ou un technicien expérimenté en radio/télévision pour obtenir de l'aide.

Clause de non-compatibilité

La performance sans fil dépend de la technologie sans fil Bluetooth/WiFi de votre appareil, veuillez vous référer au fabricant de votre appareil. Ledworks SRL ne sera pas responsable de toute perte de données ou de fuites résultant de l'utilisation de ces appareils.

⚠️ AVERTISSEMENT!

Ne connectez pas le prise au support dans le packaging. Le câble connecteur ne peut être remplacé ou réparé. Si le câble est abimé, l'appareil tout entier doit être remplacé. La chaîne d'éclairage ne doit pas être utilisée si tous les joints ne sont pas en place. Les chaînes d'éclairage ne sont pas destinées à être interconnectées.Bulbe non remplaçable. Ne connectez pas le produit à un produit d'un autre fabricant. Attention! Danger d'étranglement. Tenez hors de portée des enfants.



Le symbole de la poubelle barrée indique que l'article doit être éliminé séparément des ordures ménagères. L'article doit être déposé pour le recyclage conformément aux réglementations environnementales locales pour l'élimination des déchets.

Le fabricant, Ledworks Srl, déclare que cet appareil est conforme aux directives (LVD) 2014/35/EU, (RED) 2014/53/EU, (EMC) 2014/30/EU, (RoHS) 2011/65/EU. Le texte complet de la déclaration de conformité européenne est disponible à l'adresse Internet suivante: **www.twinkly.com/certifications**

Configuration requise

La configuration minimale requise pour les smartphones est iOS 11 et Android 5 Recherchez sur l'App Store la dernière mise à jour pour optimiser les performances...

Diodes LED de qualité supérieure

Pour assurer un rendu des couleurs élevé, les produits Twinkly n'utilisent que des LED de haute qualité.

Les produits RVB et RVB+W de Twinkly sont fabriqués selon des principes et des processus de qualité qui nous permettent d'obtenir un haut degré de pureté des couleurs primaires. Les valeurs minimales de pureté d'excitation des composants bleu, vert et rouge sont indiquées dans le tableau ci-dessous.

Licences Bluetooth

La marque verbale et les logos Bluetooth® sont des marques déposées appartenant à Bluetooth SIG, Inc. et toute utilisation de ces marques par Ledworks SRL est sous licence. Les autres marques et noms commerciaux sont ceux de leurs propriétaires respectifs.

RF de fonct. pour le 802.11 b/g/n Wi-Fi / Bluetooth V4.2 BR/EDR/LE	Valeurs de pureté des couleurs
Fréquence 2402/2480 Mhz	Bleu > 90%
Puissance de sortie maximale <100mW	Vert > 65%
	Rouge > 95%

** Les valeurs s'appliquent uniquement aux produits RGB (STP) et RGBW (SPP), mais pas aux produits AWW (GOP)*

DE Lesen und befolgen Sie alle Sicherheitshinweise.

1. LESEN UND BEFOLGEN SIE ALLE SICHERHEITSANWEISUNGEN.

2. Nicht in der Nähe von Gas- oder Elektroheizungen, Feuerstellen, Kerzen oder anderen ähnlichen Wärmequellen anbringen oder platzieren.

3. Das externe flexible Kabel dieser Leuchte kann nicht ersetzt werden; wenn das Kabel beschädigt ist, muss die Leuchte zerstört werden. Die Lichtquelle dieser Leuchte ist nicht austauschbar; wenn die Lichtquelle ihr Lebensende erreicht, muss die gesamte Leuchte ersetzt werden.

4. Dieser Artikel ist nicht zur Raumbeleuchtung geeignet und dient nur zu Dekorationszwecken. 5. Sichern Sie die Verkabelung des Produkts nicht mit Klammern oder Nägeln und bringen sie nie nicht auf spitzen Haken oder Nägeln an.

6. Legen Sie keine Lampen auf dem Stromkabel oder anderen Leitungsdrähten ab.

7. Ziehen Sie den Stecker des Produkts, wenn Sie das Haus verlassen, schlafen gehen oder das Produkt unbeaufsichtigt lassen.

8. Dies ist ein elektrisches Produkt – kein Spielzeug! Um die Gefahr von Bränden, Verbrennungen, Verletzungen und Stromschlägen zu vermeiden, darf das Produkt nicht zum Spielen verwendet oder in Reichweite kleiner Kinder platziert werden.

9. Verwenden Sie dieses Produkt ausschließlich für seinen bestimmungsgemäßen Gebrauch.

10. Hängen Sie keine Verzierungen oder anderen Gegenstände an Kabel, Leitungsdraht oder Lichterschnur auf.

11. Bedecken Sie das Produkt während der Verwendung nicht mit Stoff, Papier oder anderen Materialien, die nicht Teil des Produkts sind.

12. Klemmen Sie weder das Produkt noch Verlängerungskabel in Türen oder Fenstern ein, da hierdurch die Kabelisolierung beschädigt werden kann.

13. Lesen und befolgen Sie alle Anweisungen, die sich auf dem Produkt befinden oder mit ihm bereitgestellt werden.

14. BEWAHREN SIE DIESE ANWEISUNGEN AUF.

15. Schließen Sie die Kette nicht an die Stromversorgung an, während sie sich in der Verpackung befindet.

16. Bei Brüchen oder Schäden an den Glühbirnen darf die Kette nicht verwendet / unter Spannung gesetzt werden, sondern muss sicher entsorgt werden.

17. Die Glühbirnen sind nicht austauschbar.

18. **WARNUNG – GEFAHR EINES ELEKTRISCHEN SCHOCKS, WENN DIE GLÜHBIRNEN KAPUTT SIND ODER FEHLEN. NICHT VERWENDEN.**

Nutzungs- und Pflegehinweise

a. Wird das Produkt auf einem lebenden Baum angebracht, muss der Baum gut gepflegt und frisch sein. Nicht auf lebenden Bäumen anbringen, deren Nadeln braun sind oder leicht abbrechen. Stellen Sie sicher, dass der Ständer des lebenden Baums stets mit Wasser gefüllt ist.

b. Wird das Produkt auf einem Baum angebracht, muss der Baum gut gesichert und stabil sein.

c. Untersuchen Sie das Produkt vor jeder Verwendung und Wiederverwendung sorgfältig. Entsorgen Sie Produkte, die eingeschnittene, beschädigte oder verschlissene Kabel oder Kabelisolierungen, Risse in Lampenhaltern oder Gehäusen, lockere Verbindungen oder freigelegten Kupferdraht aufweisen.

d. Nehmen Sie das Produkt zur Aufbewahrung vorsichtig von allen Befestigungsstellen wie Bäumen, Zweigen oder Büschen ab, um übermäßige Belastung oder Beanspruchung der Stromleiter, Verbindungen und Kabel des Produkts zu vermeiden.

e. Wenn das Produkt nicht verwendet wird, bewahren Sie es ordentlich an einem kühlen, trockenen und vor Sonnenlicht geschützten Ort auf.

ACHTUNG – Um die Gefahr von Bränden und Stromschlägen zu reduzieren,

a. nicht auf Bäumen anbringen, die über Nadeln, Blätter oder Zweigbeläge aus Metall oder Materialien, die wie Metall aussehen, verfügen.

b. Leitungsdrähte nicht derart anbringen oder stützen, dass die Kabelisolierung eingeschnitten oder beschädigt werden könnte.

Haftungsausschluss der Klasse A: Dieses Gerät wurde getestet und als konform zu den Grenzwerten für digitale Geräte der Klasse A gemäß Teil 15 der FCC-Bestimmungen befunden. Diese Grenzwerte bieten einen angemessenen Schutz gegen Funkstörungen in Wohninstallationen. Dieses Gerät erzeugt, verbraucht und kann Hochfrequenzenergie ausstrahlen. Falls es nicht gemäß den Anweisungen installiert und verwendet wird, kann es Störungen der Funkkommunikation verursachen. Es kann jedoch nicht garantiert werden, dass bei bestimmten Installationen keine Störungen auftreten. Wenn dieses Gerät Funkstörungen beim Radio- oder Fernsehempfang verursacht, was Sie durch Aus- und Einschalten des Geräts feststellen können, sollten Sie versuchen, diese Funkstörungen mit einer oder mehrerer der folgenden Maßnahmen zu beheben:

- Richten Sie die Empfangsantenne neu aus.

- Vergrößern Sie den Abstand zwischen Gerät und Empfänger.

- Schließen Sie das Gerät und den Empfänger an Steckdosen mit verschiedenem Stromkreis an.
- Wenden Sie sich an den Händler oder einen erfahrenen Radio- / Fernsehtechniker.

Haftungsausschluss für die Kompatibilität

Die drahtlose Leistung hängt von der Bluetooth/WiFi-Funktechnologie Ihres Geräts ab, bitte informieren Sie sich beim Hersteller Ihres Geräts. Ledworks SRL haftet nicht für Datenverluste oder Lecks, die durch die Verwendung dieser Geräte entstehen.

⚠️ ACHTUNG!

Schliessen Sie die Beleuchtung nicht an, solange sie noch in der Verpackung ist.Das Verbindungskabel kann nicht repariert oder ersetzt werden. Wenn das Kabel beschädigt ist muss die gesamte Beleuchtung beseitigt werden. DIE GLÜHBIRNE IST NICHT ERSETZBAR. Die Lichterkette darf nicht benutzt werden, wenn nicht alle Dichtungen angebracht sind. Lichterketten sind nicht als Verbindungsstücke gedacht. Verbinden Sie diese Beleuchtung nicht mit anderen Geräten eines anderen Herstellers. ACHTUNG! Gefahr vor Erdrosselung. Hängen Sie sie ausserhalb der Reichweite von Kindern auf.



Das Symbol der durchgestrichener Mülltonne weist darauf hin, dass das Produkt nicht mit dem normalen Hausmüll entsorgt werden darf. Das Produkt muss gemäß den örtlichen Abfallbestimmungen entsorgt werden.

Der Hersteller, Ledworks Srl, erklärt, dass dieses Gerät den Richtlinien (LVD) 2014/35/EU, (RED) 2014/53/EU, (EMC) 2014/30/EU, (RoHS) 2011/65/EU entspricht. Der vollständige Text der EU-Konformitätserklärung steht unter der folgenden Internetadresse **www.twinkly.com/certifications**

System Anforderungen

Die minimalen Systemvoraussetzungen für Mobiltelefone sind iOS 11 oder Android 5 Suchen Sie im App Store nach dem neuesten Update, um die beste Leistung sicherzustellen.

Premium-LED-Dioden

Um eine hohe Farbwiedergabe zu gewährleisten, verwenden Twinkly-Produkte ausschließlich hochwertige LEDs.

Die RGB- und RGB+W-Produkte von Twinkly werden nach Qualitätsprinzipien und -prozessen hergestellt, die es uns ermöglichen, einen hohen Reinheitsgrad der Primärfarben zu erzielen. Die minimalen Erregungsreinheitswerte der blauen, grünen und roten Komponenten sind in der folgenden Tabelle aufgeführt.

Bluetooth-Lizenzierung

Die Bluetooth®-Wortmarken und -Logos sind eingetragene Marken im Besitz von Bluetooth SIG, Inc. und werden von Ledworks SRL unter Lizenz verwendet. Andere Marken und Handelsnamen sind Eigentum ihrer jeweiligen Inhaber.

Betriebsfunk für 802.11 b/g/n Wi-Fi / Bluetooth V4.2 BR/EDR/LE	Farbreinheitswerte
Frequenz 2402/2480 Mhz	Blau > 90%
Maximale Ausgangsleistung <100mW	Grün > 65%
	Rot > 95%

** Die Werte gelten nur für RGB(STP)- und RGBW(SPP)-Produkte, nicht für AWW(GOP)-Produkte*

NL Lees en volg alle veiligheidsinstructies op.

- LEES EN VOLG ALLE VEILIGHEIDSI NSTRUCTIES.
- Niet monteren of plaatsen in de buurt van gas- of elektrische kachels, open haarden, kaarsen of andere soortgelijke warmtebronnen.
- De externe flexibele kabel of het snoer van deze armatuur kan niet worden vervangen; als het snoer beschadigd is, moet de armatuur worden vernietigd. De lichtbron van deze armatuur is niet vervangbaar; wanneer de lichtbron het einde van zijn levensduur bereikt, moet de gehele armatuur worden vervangen.
- Dit artikel is niet geschikt voor kamerverlichting en dient alleen voor decoratie.
- Zet de bedrading van het product niet vast met nietjes of spijkers of plaats deze niet op scherpe haken of spijkers.
- Laat lampen niet op het netsnoer of op een draad rusten.
- Haal de stekker uit het stopcontact wanneer u het huis verlaat, wanneer u gaat slapen, of als u er niet bij bent.
- Dit is een elektrisch product - geen speelgoed! Om het risico op brand, brandwonden, persoonlijk letsel en elektrische schokken te voorkomen, mag er niet mee worden gespeeld en mag het niet geplaatst worden waar kleine kinderen erbij kunnen.
- Gebruik dit product niet voor andere doeleinden dan waarvoor het is bedoeld.
- Hang geen versieringen of andere voorwerpen op aan een koord, draad of lichtsnoer.
- Bedenk het product niet tijdens gebruik met een doek, papier of ander materiaal dat geen deel uitmaakt van het product.
- Sluit geen deuren of ramen op het product of de verlengsnoeren, omdat dit de isolatie van het draad kan beschadigen.
- Lees en volg alle instructies op het product of die bij het product zijn geleverd.
- BEWAAR DEZE INSTRUCTIES.
- Sluit de slinger niet aan op de voeding terwijl deze in de verpakking zit.
- Bij breuk of beschadiging van lampen mag de slinger niet worden gebruikt/onder spanning worden gezet, maar moet deze op een veilige manier worden weggegooid.
- De lampen zijn niet vervangbaar.
- WAARSCHUWING – RISICO OP ELEKTRISCHE SCHOK ALS LAMPEN KAPOT ZIJN OF ONTBREKEN. NIET GEBRUIKEN.

Gebruiks- en onderhoudsinstructies

- Wanneer het product op een levende boom wordt geplaatst, moet de boom goed worden onderhouden. Plaats niet op levende bomen waarin de naalden bruin zijn of gemakkelijk afbreken. Houd de levende boomhouder gevuld met water.
- Als het product op een boom wordt geplaatst, moet de boom goed stevig staan en stabiel zijn.
- Inspecteer het product zorgvuldig voordat u het gebruikt of opnieuw gebruikt. Gooi producten met gesneden, beschadigde of gerafelde draadisolatie of snoeren, scheuren in de lamphouders of behuizingen, losse verbindingen of blootliggend koperdraad weg.
- Wanneer u het product opbergt, verwijdt u het product voorzichtig van waar het is geplaatst, inclusief bomen, takken of struiken, om onnodige spanning of spanning op de productgeleiders, verbindingen en draden te voorkomen.
- Wanneer het niet in gebruik is, moet u het product netjes bewaren op een koele, droge plaats beschermd tegen zonlicht.

LET OP - Om het risico op brand en elektrische schokken te verminderen:

- Moet u het product niet installeren op bomen met naalden, bladeren of takken van metaal of materialen die op metaal lijken.
- monteer of ondersteun draden niet op een manier die draadisolatie kan doorsnijden of beschadigen.

Klasse A-disclaimer: deze apparatuur is getest en in overeenstemming bevonden met de limieten van een digitaal apparaat uit klasse A, conform deel 15 van de FCC-voorschriften. Deze beperkingen zijn opgesteld om een redelijke bescherming te bieden tegen schadelijke storingen in een woonomgeving. Deze apparatuur genereert en maakt gebruik van radiofrequente straling en kan deze afgeven. Indien deze apparatuur niet volgens de instructies wordt geïnstalleerd en gebruikt, kan deze schadelijke storing van radiocommunicatie veroorzaken. Er is echter geen

garantie dat in bepaalde situaties geen storing zal optreden. Als deze apparatuur schadelijke storing in radio- of televisieontvangst veroorzaakt, wat kan worden vastgesteld door de apparatuur in en uit te schakelen, kan de gebruiker proberen deze storing op één of meer van de volgende manieren op te heffen:

- De ontvangstantenne verplaatsen of anders richten.
- De afstand tussen de apparatuur en de ontvanger vergroten.
- De apparatuur aansluiten op een ander stopcontact in een ander circuit dan dat waarop de ontvanger is aangesloten.
- Raadpleeg voor hulp de dealer of een ervaren radio- en televisiemonteur.

Compatibiliteitsverklaring

De draadloze prestaties zijn afhankelijk van de Bluetooth/WiFi draadloze technologie van uw apparaat, raadpleeg de fabrikant van uw apparaat. Ledworks SRL is niet aansprakelijk voor verlies van gegevens of lekkage als gevolg van het gebruik van deze apparaten.

⚠ OPGELET!

Sluit de ketting niet aan op de voeding terwijl deze zich in de verpakking bevindt. De verbindingskabel kan niet worden gerepareerd of vervangen. Als de kabel is beschadigd, moet de gehele fitting worden weggegooid. NIET VERVANGBARE GLOEI LAMP. De lichtketting mag niet worden gebruikt zonder dat alle pakkingen op hun plaats zitten. Lichtkettingen zijn niet bedoeld voor interconnectie.Sluit deze ketting niet elektrisch aan op apparaten van een andere fabrikant. OPGELET! Wurgingsgevaar. Buiten het bereik van jonge kinderen houden.



■ Het symbool van een doorkruiste afvalcontainer geeft aan dat het artikel apart verwijderd dient te worden van het huisafval. Het artikel dient te worden ingeleverd voor recycling in overeenstemming met de plaatselijke milieuvoorschriften voor afvalverwerking.

De fabrikant, Ledworks Srl, verklaart dat dit apparaat voldoet aan de richtlijnen van (LVD) 2014/35/EU, (RED) 2014/53/EU, (EMC) 2014/30/EU, (RoHS) 2011/65/EU. De volledige tekst van de EU-conformiteitsverklaring is via het volgende internetadres beschikbaar: **www.twinkly.com/certifications**

Systeemvereisten

De minimale systeemvereisten voor mobiele telefoons zijn iOS 11 en Android 5 Kijk in de app store voor de laatste update om zeker te zijn van de beste prestaties.

Led-dioden van hoogwaardige kwaliteit

Om een hoge kleurweergave te garanderen, worden alleen hoogwaardige leds gebruikt voor Twinkly-producten.

De RGB- en RGB+W-producten van Twinkly worden geproduceerd volgens kwaliteitsprincipes en -processen die ons in staat stellen primaire kleuren met een hoge mate van zuiverheid te verkrijgen.

De minimale excitatiezuiverheidswaarden van de blauwe, groene en rode componenten worden weergegeven in de onderstaande tabel.

Bluetooth-licentie

Het woordmerk en de logo's van Bluetooth® zijn geregistreerde handelsmerken die eigendom zijn van Bluetooth SIG, Inc. en elk gebruik van deze merken door Ledworks SRL gebeurt onder licentie. Andere handelsmerken en handelsnamen zijn eigendom van hun respectieve eigenaars.

RF-bediening voor 802.11 b/g/n Wi-Fi / Bluetooth V4.2 BR/EDR/LE	Kleurzuiverheidswaarden
Frequentie 2402/2480 Mhz	Blauw > 90%
Maximaal uitgangsvermogen <100mW	Groen > 65%
	Rood > 95%

*** De waarden gelden alleen voor RGB- (STP) en RGBW- (SPP) producten, niet voor AWW- (GOP) producten**

ES Lea y siga todas las instrucciones de seguridad.

- LEA Y SIGA TODAS LAS INSTRUCCIONES DE SEGURIDAD.
- No lo monte ni coloque cerca de calentadores de gas o eléctricos, chimeneas, velas u otras fuentes de calor similares.
- El cable flexible externo o cordón de esta luminaria no puede sustituirse; si el cordón se daña, la luminaria deberá destruirse. La fuente luminosa de esta luminaria no es sustituible; cuando la fuente luminosa llegue al final de su vida útil, deberá sustituirse toda la luminaria.
- Este artículo no es adecuado para la iluminación de habitaciones y sólo tiene fines decorativos.
- No asegure el cableado del producto con grapas o clavos, ni lo coloque en ganchos o clavos afilados.
- No deje que las lámparas descansen sobre el cable de alimentación ni sobre ningún otro cable.
- Desenchufe el producto cuando salga de la casa, cuando se acueste por la noche o cuando lo deje desatendido.
- ¡Este es un producto eléctrico, no un juguete! Para evitar el riesgo de incendio, quemaduras, lesiones personales y descargas eléctricas, no se debe jugar con él ni colocarlo donde los niños pequeños puedan alcanzarlo.
- No utilice este producto para un uso distinto al previsto.
- No cuelgue adornos u otros objetos del cordón, alambre o cuerda de luz.
- No cubra el producto con tela, papel o cualquier otro material que no forme parte del producto durante su uso.
- No cierre las puertas o ventanas del producto o de los cables de extensión, ya que esto podría dañar el aislamiento de los cables.
- Lea y siga todas las instrucciones que aparecen en el producto o que se suministran con el mismo.
- GUARDE ESTAS INSTRUCCIONES.
- No conectes la cadena al suministro eléctrico mientras esté en el embalaje.
- En caso de rotura o daño de las bombillas, la cadena no debe utilizarse ni conectarse a la corriente, sino desecharse de forma segura.
- Las lámparas no son reemplazables.
- ADVERTENCIA: EN CASO DE HABER LÁMPARAS ROTAS O FALTANTES, ESTO SUPONE UN RIESGO DE DESCARGA ELÉCTRICA. NO SE DEBE UTILIZAR EN ESTOS CASOS.

Instrucciones de uso y cuidado

- Cuando el producto se coloque en un árbol vivo, el árbol deberá estar bien mantenido y fresco. No lo coloque en árboles vivos en los que las agujas sean de color marrón o se rompan fácilmente. Mantenga el soporte del árbol vivo lleno de agua.
- Si el producto se coloca en un árbol, este deberá estar bien sujeto y ser estable.
- Antes de usarlo o reutilizarlo, inspeccione cuidadosamente el producto. Deseche cualquier producto que tenga los cables o aislantes cortados, dañados o deshilachados, grietas en los portallámparas o en los gabinetes, las conexiones flojas o el alambre de cobre expuesto.
- Cuando almacene el producto, retírelo cuidadosamente de dondequiera que esté colocado, lo que incluye árboles, ramas o arbustos, para evitar cualquier tensión o esfuerzo indebido en los conductores, las conexiones y los cables del producto.
- Cuando no lo utilice, guárdelo cuidadosamente en un lugar fresco y seco protegido de la luz solar.

PRECAUCIÓN. Para reducir el riesgo de incendios y descargas eléctricas:

- No lo instale en árboles que tengan agujas, hojas o ramas cubiertas de metal o materiales que parezcan de metal.
- No monte ni apoye los alambres de manera que se pueda cortar o dañar el aislamiento de los mismos.

Descargo de responsabilidad de Clase A: Este equipo ha sido probado y se ha comprobado que cumple con los límites de un dispositivo digital de Clase A, de acuerdo con la Parte 15 de las Normas de la FCC. Estos límites están diseñados para proporcionar una protección razonable

contra las interferencias perjudiciales de una instalación residencial. Este equipo genera, utiliza y puede irradiar energía de radiofrecuencia y, si no se instala y utiliza de acuerdo con las instrucciones, puede causar interferencias perjudiciales en las comunicaciones por radio. Sin embargo, no se puede garantizar que no se produzcan interferencias en una instalación concreta. Si este equipo causa interferencias perjudiciales en la recepción de radio o televisión, lo cual puede determinarse apagando y encendiendo el equipo, se recomienda al usuario que intente corregir las interferencias mediante una o varias de las siguientes medidas:

- Reorientar o reubicar la antena receptora.
- Aumentar la separación entre el equipo y el receptor.
- Conectar el equipo a una toma de corriente en un circuito diferente al que está conectado el receptor.
- Consultar al distribuidor o a un técnico experto en radio/televisión para obtener ayuda.

Exención de compatibilidad

El rendimiento inalámbrico depende de la tecnología inalámbrica Bluetooth/WiFi de su dispositivo, consulte al fabricante de su dispositivo. Ledworks SRL no se hace responsable de cualquier pérdida de datos o fugas resultantes del uso de estos dispositivos.



¡ADVERTENCIA!

No conecte el cable a la fuente de alimentación mientras está en el embalaje. El cable de conexión no puede ser reparado o reemplazado.Si el cable está dañado, se debe desechar todo el accesorio. BOMBILLA NO REEMPLAZABLE. La cadena de iluminación no debe utilizarse sin que todas las juntas estén en su lugar. Las cadenas de iluminación no están pensadas para la interconexión.No conecte esta cadena eléctricamente a los dispositivos de otro fabricante. ¡PRECAUCIÓN! Peligro de estrangulamiento. Cuelgue fuera del alcance de los niños pequeños.



El símbolo del contenedor con ruedas tachado indica que el artículo no debe eliminarse con la basura doméstica. El artículo debe ser entregado para su reciclaje de acuerdo con las normativas ambientales locales para la eliminación de residuos.

El fabricante, Ledworks Srl, declara que este dispositivo cumple con las (LVD) 2014/35/EU, (RED) 2014/53/EU, (EMC) 2014/30/EU, (RoHS) 2011/65/EU directivas. El texto completo de la declaración de conformidad con la UE está disponible en la siguiente dirección de internet: **www.twinkly.com/certifications**

Requisitos del sistema

Los requisitos mínimos del sistema para teléfonos móviles son iOS 11 y Android 5 Consulte en la tienda de aplicaciones la última actualización para garantizar el mejor rendimiento.

Diodos LED de primera calidad

Para garantizar una alta reproducción cromática, los productos Twinkly solo utilizan LED de alta calidad.

Los productos RGB y RGB+W de Twinkly se producen siguiendo principios y procesos de calidad que nos permiten obtener un alto grado de pureza de los colores primarios.

Los valores mínimos de pureza de excitación de los componentes Azul, Verde y Rojo se muestran en la siguiente tabla.

Licencia de Bluetooth

La marca y los logotipos Bluetooth® son marcas comerciales registradas propiedad de Bluetooth SIG, Inc. y cualquier uso de dichas marcas por parte de Ledworks SRL se realiza bajo licencia. Las demás marcas y nombres comerciales pertenecen a sus respectivos propietarios.

RF de func. para 802.11 b/g/n Wi-Fi / Bluetooth V4.2 BR/EDR/LE	Valores de pureza del color
Frecuencia 2402/2480 Mhz	Azul > 90%
Potencia máxima de salida <100mW	Verde > 65%
	Rojo > 95%

** Los valores solo se aplican a los productos RGB (STP) y RGBW (SPP), no a los productos AWW (GOP)*

hvilket kan bestemmes ved at tænde og tænde udstyret, opfordres brugeren til at prøve at rette interferensen ved hjælp af en eller flere af følgende foranstaltninger:

- Vend eller flyt modtageantennen.
- Øg afstanden mellem udstyr og modtager.
- Slut udstyret til en stikkontakt på et andet kredsløb end det, som modtageren er tilsluttet.
- Kontakt forhandleren eller en erfaren radio-tv-tekniker for at få hjælp.

Ansvarsfraskrivelse om kompatibilitet

Trådløse ydeevne afhænger af din enheds trådløse Bluetooth/WiFi-teknologi, se venligst producentens oplysninger om din enhed. Ledworks SRL er ikke ansvarlig for tab af data eller lækager som følge af brugen af disse enheder.

⚠ ADVARSEL!

Tilslut ikke lyskæden til strømforsyningen, mens den er i emballagen. Forbindelseskablet kan ikke repareres eller udskiftes. IKKE-UDSKIFTBARE PÆRER. Tilslut ikke denne lyskæde elektrisk til enheder fra en anden producent. ADVARSEL! Kvælningsfare. Opbevares utilgængeligt for små børn.

☠ Symbolet med den overstregede skraldespand indikerer, at genstanden skal bortkaffes separat fra husholdningsaffald. Varen skal afleveres til genbrug i overensstemmelse med lokale miljøregler for bortskaffelse af affald.

Producenten Ledworks Srl erklærer, at denne enhed overholder direktiverne (LVDD) 2014/35/EU, (RED) 2014/53/EU, (EMC) 2014/30/EU, (RoHS) 2011/65/EU. Den fulde tekst til EU-overensstemmelseserklæringen findes på følgende internetadresse: **www.twinkly.com/certifications**

Systemkrav	Tekniske specifikationer
Minimumssystemkravet til mobiltelefoner er iOS 11 og Android 5. Se i app store for at finde den nyeste opdatering for at sikre den bedste ydeevne.	Strømforsyning: se etiket <p>IP-beskyttelse: IP44</p>

Førsteklasses LED-dioder

For at sikre en god farvegengivelse bruger produkterne fra Twinkly kun LED'er af høj kvalitet. RGB og RGB+W produkter fra Twinkly er produceret efter kvalitetsprincipper og processer, der gør det muligt for os at opnå meget rene primærfarver. De minimale excitation purity-værdier for de blå, grønne og røde komponenter er vist i tabellen nedenfor.

Bluetooth-licensering

Bluetooth Bluetooth®-ordmærket og logoer er registrerede varemærker, der ejes af Bluetooth SIG, Inc. og enhver brug af sådanne mærker af Ledworks SRL er under licens. Andre varemærker og handelsnavne tilhører deres respektive ejere.

Drifts-RF for 802.11 b/g/n Wi-Fi / Bluetooth V4.2 BR/EDR/LE	Farve-renhedsværdier
Frekvens 2402/2480 Mhz	Blå > 90%
Maks. udgangseffekt <100mW	Grøn > 65%
	Rød > 95%

** Værdier gælder kun for RGB (STP) og RGBW (SPP)-produkter, ikke for AWW (GOP)-produkter*

🇫🇮 Lue kaikki turvallisuuohjeet ja noudata niitä.

- LUE KAIKKI TURVALLISUUOHIJEET JA NOUDATA NIITÄ.
- Älä asenna tai aseta kaasu- tai sähkölämmittimen, tulisijojen, kynttilöiden tai muiden vastaavien lämmönlähteiden lähesiysteen.
- Tämän valaisimen ulkoista taipuisaa kaapelia tai johtoa ei voi vaihtaa; jos johto vaurioituu, valaisin on tuhottava. Tämän valaisimen valonlähdettä ei voi vaihtaa; kun valonlähteen

🇩🇦 Læs og følg alle sikkerhedsinstruktioner.

- LÆS OG FØLG ALLE SIKKERHEDSINSTRUKTIONER.
- Armaturets udvendige fleksible kabel eller ledning kan ikke udskiftes; hvis ledningen beskadiges, skal armaturet destrueres. Armaturets lyskilde kan ikke udskiftes; når lyskilden har udtjent sin levetid, skal hele armaturet udskiftes.
- Denne artikel er ikke egnet til rumbelysning og er kun til dekorationsformål.
- Montrér eller placer ikke i nærheden af gas- eller elektriske varmeapparater, pejse, lys eller andre lignende varmekilder.
- Fastgør ikke ledningerne til produktet med hæfteklammer eller søm, og læg dem ikke på skarpe kroge eller søm.
- Lad ikke lamperne hvile på strømledningen eller på nogen anden ledning.
- Træk stikket ud af produktet, når du forlader huset, eller når du går i seng om natten, eller hvis det efterlades uden opsyn.
- Dette er et elektrisk produkt - ikke et legetøj! For at undgå risiko for brand, forbrændinger, personskade og elektrisk stød, bør det ikke leges med eller placeres, hvor små børn kan nå det.
- Brug ikke dette produkt til andet end dets tilsigtede brug.
- Hæng ikke ornamenter eller andre genstande fra ledningen, ledningen eller lyskæden.
- Dæk ikke produktet med tæppe, papir eller andet materiale, der ikke er en del af produktet, når det er i brug.
- Luk ikke døre eller vinduer på produktet eller forlængerledningerne, da dette kan beskadige ledningsisolationen.
- Læs og følg alle instruktioner, der findes på produktet eller leveres sammen med produktet.
- GEM DISSE INSTRUKTIONER.
- Tilslut ikke kæden til forsyningen, mens den er i emballagen.
- Hvor der opstår brud eller beskadigelse af lamper, må kæden ikke bruges/aktiveres, men skal bortkaffes sikkert.
- Lamperne kan ikke udskiftes.
- ADVARSEL – RISIKO FOR ELEKTRISK STØD, HVIS LAMPER ER I STYKKER ELLER MANGLER. UNDLAD AT BRUGE.

Brugs- og vedligeholdelsesinstruktioner

- Når produktet placeres på et levende træ, skal træet være i god stand og frisk. Placer ikke på levende træer, hvor nålene er brune eller let knækker. Sørg for, at holderen til det levende træ fyldt med vand.
- Hvis produktet placeres på et træ, skal træet være godt sikret og stabilt.
- Inden du bruger eller genbruger, skal du inspicere produktet omhyggeligt. Kassér produkter, der har gennemskåret, beskadiget eller flosset ledningsisolerlng eller ledninger, revner i lampeholderne eller kabinetterne, løse forbindelser eller synlig kobbertråd.
- Når du opbevarer produktet, skal du omhyggeligt fjerne produktet, der hvor det er placeret, inklusive træer, grene eller buske, for at undgå unødigt belastning eller belastning af produktets ledere, forbindelser og ledninger.
- Opbevares på et køligt, tørt sted beskyttet mod sollys, når det ikke er i brug.

ADVARSEL - For at reducere risikoen for brand og elektrisk stød:

- Monter ikke på træer med nåle, blade eller grenbelægninger af metal eller materialer, der ligner metal.
- Monter eller understøt ikke ledninger på en måde, der kan skære i eller beskadige ledning-sisoleringen.

Ansvarsfraskrivelse for klasse A: Dette udstyr er testet og fundet i overensstemmelse med grænserne for en klasse A digital enhed i henhold til afsnit 15 i FCC-reglerne. Disse grænser er designet til at give rimelig beskyttelse mod skadelig interferens i en boliginstallation. Dette udstyr genererer, bruger og kan udsåtråle radiofrekvensenergi, og hvis det ikke installeres og bruges i overensstemmelse med instruktionerne, kan det forårsage skadelig interferens i radiokommunikation. Der er dog ingen garanti for, at der ikke opstår interferens i en bestemt installation. Hvis dette udstyr forårsager skadelig interferens i radio- eller tv-modtagelse,

concreta. Si este equipo causa interferencias perjudiciales en la recepción de radio o televisión, lo cual puede determinarse apagando y encendiendo el equipo, se recomienda al usuario que intente corregir las interferencias mediante una o varias de las siguientes medidas:

- Reorientar o reubicar la antena receptora.
- Aumentar la separación entre el equipo y el receptor.
- Conectar el equipo a una toma de corriente en un circuito diferente al que está conectado al receptor.
- Consultar al distribuidor o a un técnico experto en radio/televisión para obtener ayuda.

Declaración de Compatibilidad

O desempenho sem fios depende da tecnologia sem fios Bluetooth/WiFi do seu dispositivo, por favor consulte o fabricante do seu dispositivo. A Ledworks SRL não é responsável pela perda de dados ou leakage als gevolg van het gebruik van deze apparaten.

⚠ ATENÇÃO!

Não ligar a cadeia à fonte de alimentação enquanto esta estiver na sua embalagem. O cabo de ligação não pode ser reparado ou substituído. Se o cabo estiver danificado, descarte todo o encaixe. NÃO REPLACEMENTABLE GLOWLAMP.As correntes ligeiras não se destinam a interligação. Não ligar electricamente esta corrente a dispositivos de outro fabricante. CUIDADO! Risco de estrangulamento. Manter fora do alcance das crianças pequenas.

☠ O símbolo de um contentor de rodas com uma cruz indica que o artigo deve ser eliminado separadamente do lixo doméstico. O artigo deve ser devolvido para reciclagem em conformidade com os regulamentos ambientais locais para a eliminação de resíduos.

O fabricante, Ledworks Srl, declara que este dispositivo cumpre as directivas de (LVD) 2014/35/EU, (RED) 2014/53/EU, (EMC) 2014/30/EU, (RoHS) 2011/65/EU. O texto completo da declaração de conformidade da UE está disponível no seguinte endereço Internet: **www.twinkly.com/certifications**

Requisitos do sistema	Especificações técnicas
Os requisitos mínimos do sistema para telemóveis são iOS 11 e Android 5 Verifique na loja de aplicações a última actualização para assegurar o melhor desempenho.	Fonte de alimentação: 5V <p>Adaptador USB-C: 15/20W</p>

Diodos LED de alta qualidade

Para assegurar uma elevada restituição de cor, só são utilizados LEDs de alta qualidade para produtos Twinkly. Os produtos Twinkly RGB e RGB+W são produzidos de acordo com princípios e processos de qualidade que nos permitem obter cores primárias com um elevado grau de pureza. Os valores mínimos de pureza de excitação dos componentes azul, verde e vermelho são mostrados na tabela abaixo.

Licenciamento de Bluetooth

A marca nominativa e logótipos Bluetooth® Bluetooth® são marcas registadas propriedade da Bluetooth SIG, Inc. e qualquer utilização de tais marcas pela Ledworks SRL está sob licença. Outras marcas registadas e nomes comerciais são os dos seus respectivos proprietários.

Controlo RF para 802.11 b/g/n Wi-Fi / Bluetooth V4.2 BR/EDR/LE	Valores de pureza da cor
Frequência 2402/2480 Mhz	Azul > 90%
Potência máxima de saída <100mW	Verde > 65%
	Vermelho > 95%

** Os valores aplicam-se apenas aos produtos RGB (STP) e RGBW (SPP), não aos produtos AWW (GOP)*

🇵🇹 Ler e seguir todas as instruções de segurança.

- LER E SEGUIR TODAS AS INSTRUÇÕES DE SEGURANÇA.
- Não montar ou colocar perto de fogões a gás ou eléctricos, lareiras, velas ou outras fontes de calor semelhantes.
- O cabo ou cabo flexível externo desta luminária não pode ser substituído; se o cabo for danificado, destruir a luminária. A fonte de luz desta luminária não é substituível; quando a fonte de luz atinge o fim da sua vida útil, a luminária inteira deve ser substituída.
- Este artigo não é adequado para iluminação de quartos e é apenas para fins decorativos.
- Não fixar a faixao do produto com agrafos ou pregos ou colocá-lo em ganchos ou pregos afiados.
- Não deixar descansar as lâmpadas sobre o cabo de alimentação ou sobre um fio.
- Desligue-o quando sair de casa, quando for dormir, ou quando estiver longe dele.
- Isto é um produto eléctrico - não um brinquedo! Para evitar o risco de incêndio, queimaduras, ferimentos pessoais e choque eléctrico, não brincar com ele e não o colocar onde as crianças pequenas o possam alcançar.
- Não utilizar este produto para outros fins que não a sua utilização prevista.
- Não pendurar decorações ou outros objectos num fio, arame ou fio leve.
- Não cobrir o produto durante a sua utilização com um pano, papel ou outro material que não faça parte do produto.
- Não fechar portas ou janelas sobre o produto ou cordões de extensão, pois isso pode danificar o isolamento do fio.
- Ler e seguir todas as instruções sobre o produto ou fornecidas com o produto.
- MANTER ESTAS INSTRUÇÕES.
- Não ligar o pêndulo à fonte de alimentação enquanto este estiver na sua embalagem.
- Se as lâmpadas estiverem partidas ou danificadas, o pêndulo não deve ser utilizado/ energizado, mas sim eliminado em segurança.
- As lâmpadas não são substituíveis.
- AVISO - RISCO DE CHOQUE ELÉCTRICO SE AS LÂMPADAS ESTIVEREM PARTIDAS OU EM FALTA. NÃO UTILIZAR.

Instruções de funcionamento e manutenção

- Se o produto for colocado sobre uma árvore viva, a árvore deve ser devidamente mantida. Não colocar em árvores vivas em que as agulhas sejam castanhas ou se partam facilmente. Manter o suporte de árvores vivas cheio de água.
- Se o produto for colocado sobre uma árvore, a árvore deve ser firme e estável.
- Inspeccionar cuidadosamente o produto antes de o utilizar ou reutilizar. Eliminar produtos com isolamento ou cabos cortados, danificados ou desfiados, fissuras nos suportes ou caixas das lâmpadas, ligações soltas ou fio de cobre exposto.
- Ao armazenar o produto, remover cuidadosamente o pendulo do local onde é colocado, incluindo árvores, ramos ou arbustos, para evitar stress ou tensão desnecessários sobre os condutores, ligações e fios do produto.
- Quando não estiver a ser utilizado, armazenar o produto em local fresco e seco, protegido da luz solar.

CUIDADO - Para reduzir o risco de incêndio e choque eléctrico:

- Não instalar o produto em árvores com agulhas, folhas ou ramos de metal ou materiais que se assemelham ao metal.
- Não montar ou suportar fios de uma forma que possa cortar ou danificar o isolamento do fio.

Descargo de responsabilidad de Clase A: Este equipo ha sido probado y se ha comprobado que cumple con los límites de un dispositivo digital de Clase A, de acuerdo con la Parte 15 de las Normas de la FCC. Estos límites están diseñados para proporcionar una protección razonable contra las interferencias perjudiciales en una instalación residencial. Este equipo genera, utiliza y puede irradiar energía de radiofrecuencia y, si no se instala y utiliza de acuerdo con las instrucciones, puede causar interferencias perjudiciales en las comunicaciones por radio. Sin embargo, no se puede garantizar que no se produzcan interferencias en una instalación

Twinkly

Twinkly Den överstrukna soptunnan med hjul anger att produkten ska slängas separat från hushållsavfallet. Den ska lämnas in för återvinning i enlighet med lokala miljöbestämmelser för avfallshantering.

Tillverkaren, Ledworks Srl, intygar att denna enhet uppfyller direktiven (LVD) 2014/35/EU, (RED) 2014/53/EU, (EMC) 2014/30/EU, (RoHS) 2011/65/EU, (REACH) 1907/2006. Den fullständiga EU-försäkran om överensstämmelse finns på följande webbadress: **www.twinkly.com/certifications**

Systemkrav
Systemkraven för mobiltelefoner är iOS 11 och Android 5. Kolla i appbutiken efter den senaste uppdateringen så att appen fortsätter att fungera optimalt.

Tekniska specifikationer

Strömförsörjning: 5V USB-C Adaptor 15/20 W IP-skydd: IP20

Förstklassiga LED-lampor

För att få hög färgåtergivning används endast högkvalitativa LED-lampor i Twinkly-produkter. Twinklys RGB- och RGB+W-produkter tillverkas enligt kvalitetsprinciper och kvalitetsprocesser, som gör att vi får hög renhetsgrad i grundfärgerna.

Lägsta spektral renhet för blåa, gröna och röda komponenter visas i tabellen nedan.

Bluetooth-licensiering
Bluetooth Bluetooth®-ordmärket och logotyperna är registrerade varumärken som ägs av Bluetooth SIG, Inc. och all användning av sådana märken av Ledworks SRL sker under licens. Andra varumärken och handelsnamn tillhör deras respektive ägare.

Användning av RF via 802.11 b/g/n Wi-Fi / Bluetooth V4.2 BR/EDR/LE	Färgrenhetsvärden	
Blå	> 90%	
Frekvens 2402/2480 Mhz	Grön	> 65%
Maximal utteffekt <100mW	Röd	> 95%

* Värden gäller endast RGB (STP)- och RGBW (SPP)-produkter, inte AWW (GOP)-produkter

NO Les og følg alle sikkerhetsinstruksjoner.

- LES OG FØLG ALLE SIKKERHETSINSTRUKSJØNER.
- Ikke monter eller plasser i nærheten av gassbaserte eller elektriske varmeovner, peiser, stearinlys eller andre lignende varmekilder.
- Den eksterne fleksible kablen eller ledningen til denne armaturen kan ikke byttes ut; Hvis ledningen er skadet, skal armaturen ødelegges. Lyskilden til denne armaturen kan ikke byttes ut; Når lyskilden når slutten av levetiden, skal hele armaturen skiftes ut.
- Denne artikkelen er ikke egnet for rombelysning, og den er kun til dekorasjonsformål.
- Ikke fest ledningene til produktet med stifter eller spiker eller plasser dem på skarpe kroker eller spiker.
- Trekk ut kontakten fra produktet når du forlater huset, eller når du trekker deg tilbake for natten, eller hvis det står uten tilsyn.
- Koble fra produktet når du forlater huset, eller når du går av for natten, eller hvis det blir stående uten tilsyn.
- Dette er et elektrisk produkt - ikke et leketøy! For å unngå fare for brann, brannskader, personskader og elektrisk støt bør den ikke lekes med eller plasseres der små barn kan nå den.
- Ikke bruk dette produktet til annet enn tiltenkt bruk.
- Ikke heng pyntegjenstander eller andre gjenstander fra ledningen eller lysstrengen.
- Ikke dekk til produktet med klut, papir eller annet materiale som ikke er en del av produktet, når det er i bruk.
- Ikke lukk igjen dører eller vinduer over produktet eller skjøteledninger, da dette kan skade ledningsisolasjonen.
- Les og følg alle instruksjoner som er på produktet eller følger med produktet.
- LAGRE DISSE INSTRUKSJØNENE.
- Ikke koble kjedet til leveransens mens den er i emballasjen.
- Der det oppstår brudd eller skade på lyspærer, skal kjedet ikke brukes/aktiveres, men kasseres på en sikker måte.

- inte ingår.
- Undvik att stänga dörrar och fönster på produkten eller förlängningsladdarna eftersom det kan skada kablarнас isolering.
- Se till att läsa och följa alla instruktioner som står på produkten eller medföljer produkten.
- SPARA DESSA INSTRUKTIONER.
- Anslut inte kedjan till uttaget medan den ligger i förpackningen.
- Om lampor går sönder eller skadas får kedjan varken användas eller vara strömförande, utan den måste kasseras på ett säkert sätt.
- Det går inte att byta ut lamporna.
- VARNING - RISK FÖR ELEKTRISK STÖT OM LAMPOR GÅR SÖNDER ELLER SAKNAS.

Användnings- och skötselanvisningar

- När produkten placeras ut på ett levande träd måste det vara välskött och färskt. Placera inte produkten på levande träd där barren är brun eller lätt bruts av. Se till att trädfoten är fylld med vatten.
- Als het product op een boom wordt geplaatst, moet de boom goed stevig staan en stabiel zijn.
- Inspecteer het product zorgvuldig voordat u het gebruik of opnieuw gebruikt. Gooi producten met gesneden, beschadigde of gefarfelde draadisolatie of snoeren, scheuren in de lamphouders of behuizingen, losse verbindingen of blootliggende koperdraad weg.
- Wanneer u het product opbergt, verwijder u het product voorzichtig van waar het is geplaatst, inclusief bomen, takken of struiken, om onnodige spanning of spanning op de productgeleiders, verbindingen en draden te voorkomen.
- Wanneer het niet in gebruik is, moet u het product netjes bewaren op een koele, droge plaats beschermd tegen zonlicht.

VARNING – Följande gäller för att minska risken för brand och elektriska stöt:

- Installera inte på träd med barr, löv eller grenöverdrag av metall eller material som ser ut som metall.
- Undvik att montera eller stöda sladdar på ett sätt som kan skära eller skada sladdisoleringen.

Ansvarsfriskrivning, klass A: Denna utrustning har testats och befunnits uppfylla gränserna för digitala enheter av klass A i enlighet med del 15 av Federal Communications Commissions (FCC) regler. Dessa gränser har tagits fram för att ge rimligt skydd mot skadliga störningar i installationer i bostäder. Denna utrustning genererar, använder och kan utstråla radiofrekvensenergi och om den inte installeras och används i enlighet med instruktionerna kan den orsaka skadliga störningar på radiokommunikation. Det finns dock ingen garanti för att störningar inte inträffar vid en viss installation. Om den här utrustningen orsakar skadliga störningar på mottagningen av radio- eller TV-signaler, vilket går att avgöra genom att slå av och på utrustningen, uppmanas användaren att försöka korrigera detta med en eller flera av följande åtgärder:

- Rikta om eller flytta mottagningsantennen.
- Öka avståndet mellan utrustningen och mottagaren.
- Anslut utrustningen till ett uttag som är anslutet till en annan krets än den som mottagaren är ansluten till.
- Kontakta återförsäljaren eller behörig radio-/TV-tekniker för att få hjälp.

Ansvarsfriskrivning för kompatibilitet

Den trådlösa prestandan beror på enhetens trådlösa Bluetooth/WiFi-teknik, se tillverkarens anvisningar. Ledworks SRL ansvarar inte för förlorad data eller läckage till följd av användningen av dessa enheter.

⚠ VARNING!

Anslut inte ljuskedjan till elnätet medan den ligger i förpackningen. Anslutningskabeln kan varken repareras eller bytas ut. ICKE-UTBYTNINGSBARA GLÖDLAMPOR. Anslut inte denna ljuskedja till enheter från andra tillverkare. VARNING! Strypningsrisk. Förvaras utom räckhåll för små barn.

Yhteensopivuutta koskeva vastuuvapauslauseke

Langaton suorituskyyky riippuu laitteisi llaantamosta Bluetooth/WiFi-tekniologiasta, ota yhteysi laitteen valmistajaan. Ledworks SRL ei ole vastuussa näiden laitteiden käytöstä johtuvista tietojen menetyksistä tai vuoodoista.

Twinkly

Ylivivattu roskakorisyömböli tarkoittaa, että tuote tulee hävittää erillään kotitalousjätteestä. Tuote tulee toimittaa kierrätettäviksi paikallisten jätehuoltomääräysten mukaisesti.

Valmistaja Ledworks Srl vakuuttaa, että tämä laite on direktiivin (LVD) 2014/35/EU, (RED) 2014/53/EU, (EMC) 2014/30/EU, (RoHS) 2011/65/EU ja (REACH) 1907/2006 mukainen. EU:n vaatimustenmukaisuusvakuutuksen teksti kokonaisuudessaan on saatavilla verkko-osoitteesta **www.twinkly.com/certifications**.

Järjestelmävaatimus
Matkapuhelinten järjestelmän vähimmäisvaatimukset: iOS 11 tai Android 5. Tarkista sovelluskaupasta uusin IP-suojaus: IP44
Tekniset tiedot
Virtalähde: katso etiketti
IP-suojaus: IP44

Ensiluokkaiset LED-diodit
Korkean värintoiston varmistamiseksi Twinkly-tuotteissa käytetään vain korkealaatuisia LED-valoja. Twinklyn RGB- ja RGB+W-tuotteet valmistetaan sellaisten laatuperiaatteiden ja prosessien mukaisesti, joiden avulla voimme saavuttaa korkean perusvärinen puhtausasteen. Sinisten, vihreiden ja punaisten komponenttien minimivirityspuhtausarvot on esitetty alla olevassa taulukossa.

Bluetooth-lisensointi

Bluetooth Bluetooth®-sanamerkki ja logot ovat rekisteröityjä tavaramerkkejä, jotka omistaa Bluetooth SIG, Inc., ja Ledworks SRL käyttää näitä tavaramerkkejä lisenssillä. Muut tavaramerkit ja kauppanimet ovat niiden omistajien tavaramerkkejä ja kauppanimiä.

Toimiva radiotaajuus 802.11 b/g/n Wi-Fi / Bluetooth V4.2 BR/EDR/LE	Värien puhtausarvot
Taajuus 2402/2480 Mhz	Sininen > 90%
Suurin lähtöteho <100mW	Vihreä > 65%
	Punainen > 95%

* Arvot koskevat vain RGB (STP) ja RGBW (SPP) -tuotteita, eivät AWW (GOP) -tuotteita

SV Se till att läsa och följa alla säkerhetsinstruktioner.

- LÄS OCH FÖLJ ALLA SÄKERHETSINSTRUKTIONER.
- Undvik att montera eller placera nära gasvärmare, elektriska värmare och andra värmekällor.
- Armaturens externa flexibla kabel eller sladd kan inte bytas ut; om sladden skadas ska armaturen förstöras. Ljuskällan i denna armatur är inte utbytbar; när ljuskällan har nått sin livslängd skall hela armaturen bytas ut.
- Artikelen lämpar sig inte för rumsupplysning och är endast avsedd för dekorationsändamål.
- Fäst inte produktens ledningar med häftklamrar eller spikar. Undvik dessutom att hänga den i vassa krokar eller spikar.
- Låt inte lampor ligga på strömsladden eller någon annan sladd.
- Koppla från produkten när du lämnar huset, går och lägger dig eller lämnar den utan uppsikt.
- Detta är en elektrisk produkt – inte en leksak! För att undvika risk för brand, brännskador, personskada och elektriska stötar ska man inte leka med den eller ställa den inom räckhåll för småbarn.
- Använd endast denna produkt för det den är avsedd.
- Undvik att hänga upp trydnadsföremål och andra föremål i sladden eller ljuskedjan.
- När produkten används, täck inte över den med tyg, papper eller något annat material som

- käyttöäköi on lopussa, koko valaisin on vaihdettava.
- Tämä tuote ei sovellu huoneen valaistukseen, ja se on tarkoitettu vain koristeluun.
- Älä kiinnitä tuotteen johtoja niiteillä tai nauloilla aläkä aseta niitä teräviin koukkuihin tai nauloihin.
- Älä jätä lamppuja virtajohton tai minkään muunkaan johdon päälle.
- Irrota tuote pistorasiasta, kun poistut kotoa, siirryt yksi levolle tai jos se jätetään ilman valvontaa.
- Tämä on sähkötuote, ei lelu! Tulipalon, palovammojen, henkilövahinkojen ja sähköiskun vaaran välttämiseksi sillä ei saa leikkiä, eikä sitä saa asettaa pikkulasten ulottuville.
- Älä käytä tätä tuotetta muuhun kuin sen tarkoitettuun käyttöön.
- Älä ripusta johtoon, kaapeliin tai valonauhaan koristeita tai muita esineitä.
- Älä peitä tuotetta kankaalla, paperilla tai millään muullakaan materiaallilla, joka ei kuulu tuotteeseen sen käytön aikana.
- Älä jätä tuotetta tai jatkojohtoja ovien tai ikkunoiden väliin, sillä ne voivat vaurioittaa johdon eristystä.
- Lue ja noudata kaikkia tuotteessa olevia tai tuotteen mukana toimitettuja ohjeita.
- SÄILYTÄ NÄMÄ OHJEET.
- Älä kytkte valoketjuja virtalähteeseen, kun se on pakkauksessa.
- Jos lamput rikkoutuvat tai vaurioituvat, ketjuja ei saa käyttää eikä siihen saa syöttää virtaa, vaan tuote on hävitettävä turvallisesti.
- Lamput eivät ole vaihdettavissa.
- VAROITUS – SÄHKÖISKUN VAARA, JOS LAMPUT OVAT RIKKOUTUNEITA TAI PUUTTUVAT. ÄLÄ KÄYTÄ.

Käyttö- ja hoito-ohjeet

- Kun tuote asetetaan elävään puuhun, puun tulee olla hyvin hoidettu ja tuore. Älä aseta eläviin kuusiin, joiden neulaset ovat ruskeita tai katkeavat helposti. Pidä kuusenjalja täytettynä vedellä.
- Jos tuote asetetaan puuhun, puun tulee olla hyvin tuettu ja vakaa.
- Tarkista tuote huolellisesti ennen käyttöä tai uudelleenkäyttöä. Hävitä tuotteet, joiden eristysosat tai johdot ovat leikkautuneet, vaurioituneet tai kuluneet, jos huomaat halkeamia lampunpidikkeissä tai koteloiissa, jos liitännät ovat löystyneet, tai jos kuparilangat ovat paljastuneet.
- Kun säilytät tuotetta, poista tuote ensin varovasti paikaltaan puusta, oksilta, pensaista, tai minne se onkaan asetettu, jotta vältät tuotteen johtimiin, liitäntöihin ja johtoihin kohdistuvan liiallisen rasituksen.
- Kun tuote ei ole käytössä, säilytä se siististi viileässä, kuivassa paikassa suojaassa auringon-valolta.

VAROITUS – Tulipalon ja sähköiskun vaaran välttämiseksi:

- älä asenna puihin, joiden neulaset, lehdet tai oksat ovat metallia tai metallilla näyttävää materiaalia.
- Älä asenna tai tue johtoja tavalla, joka voi leikata niitä tai vahingoittaa niiden eristystä.

Luokan A vastuuvapauslauseke: Tämä laite on testattu ja sen on todettu noudattavan luokan A digitaalisille laitteille asetettuja rajoituksia FCC-sääntöjen osion 15 mukaisesti.
Nämä rajoitukset on suunniteltu tarjoamaan kohtuullinen suojta haitallisia häiriöitä vastaan kotiasennuksissa. Tämä laite tuottaa, käyttää ja voi säteillä radiotaajuisia energiaa, ja jos sitä ei asenneta, ja käytetä ohjeiden mukaisesti, se voi aiheuttaa haitallisia häiriöitä radioviestintään. Ei kuitenkaan ole takeita siitä, ettekö häiriöitä voi tapahtua tietyssä asennuksessa. Jos tämä laite aiheuttaa haitallisia häiriöitä radio- tai televisiovastaanottimeen (tämä voidaan määrittää sammuttamalla laite ja käynnistämällä se uudelleen), käyttäjää kehoitetaan yrittämään häiriöiden korjaamista yhdellä tai useammalla seuraavista toimenpiteistä:

- Suuntaa tai siirrä vastaanottoantenni uudelleen.
- Vie laite ja vastaanotin kauemmaksi toistaan.
- Liitä laite pistorasiaan, joka on eri piirissä kuin se, johon vastaanotin on kytketty.
- Pyydä apua jälleenmyyjältä tai kokeneelta radio-/televisioasentajalta.

⚠ VAROITUS!

Älä kytkte valosarjoja virtalähteeseen, kun se on pakkauksessa. KytKentäkaapelia ei voi korjata tai vaihtaa. EI-VAIHDETTAVAT LAMPUT. Älä kytkte tätä valosarjaa sähköisesti toisen valmistajan laitteisiin. VAROITUS! Kuristumisvaara. Pidä poissa pienten lasten ulottuvilta.

SL Preberite in upoštevajte vsa varnostna navodila.

- PREBERITE IN UPOŠTEVAJTE VSA VARNOSTNA NAVODILA.
- Izdelka ne nameščajte in ne postavljajte v bližino plinskih ali električnih grelnikov, kaminov, sveč ali drugih podobnih virov toplote.
- Zunanega gibljivega kabla ali vrvice te svetlike ni mogoče zamenjati; če je vrvica poškodovana, je treba svetilko uničiti. Svetlobnega vira te svetlike ni mogoče zamenjati; ko se življenjska doba svetlobnega vira izteče, je treba zamenjati celotno svetilko.
- Ta izdelek ni primeren za osvetlitev prostora in je namenjen le za dekoracijo.
- Žic izdelka ne pritrijute s sponkami ali žeblički oziroma jih ne nameščajte na ostre kaveljke ali žebličke.
- Poskrbite, da že šarnice ne dotikajo napajalnega kabla ali katere koli žice.
- Izdelek izklopite iz vtičnice, če zapustite hišo, če se odpravite spat ali če ga pustite brez nadzora.
- To je električni izdelek, ne igrača! Če želite preprečiti tveganje povzročitve požara, opekin, telesnih poškodb ali električnega udara, se z izdelkom ne igrajte oziroma ga ne odlagajte na mesta, kjer bi ga lahko dosegli majhni otroci.
- Izdelek uporabljajte samo za predviden namen.
- Na napajalni kabel, žico ali svetlobni trak ne obečajte okrasov in drugih predmetov.
- Med uporabo izdelka ne prekrivajte s krpo, papirjem ali katerim koli materialom, ki ni del izdelka.
- Ne zapirajte vrat ali oken na kabel ali žice izdelka ali podaljške, ker lahko poškodujete izolacijo žice.
- Preberite in upoštevajte vsa navodila, ki so navedena na izdelku ali so mu priložena.
- SHRANITE TA NAVODILA.
- Verige ne priključite v omrežje, če je v embalaži.
- Če pride do zloma ali poškodbe žarnic, verige ne smete uporabljati/napajati, temveč jo morate varno zavreči.
- Žarnic ni mogoče zamenjati.
- OPOZORILO – NEVARNOST ELEKTRIČNEGA UDARA, ČE SO ŽARNICE POŠKODOVANE ALI MANJKAJO. IZDELKA NE UPORABLJAJTE.

Navodila za uporabo in vzdrževanje

- Izdelek namestite samo na dobro vzdrževano in sveže drevo. Izdelka ne nameščajte na drevesa, kjer so iglice rjave ali se zalhka odlomijo. Podstavek drevesa naj bo napolnjen z vodo.
- Če izdelek namestite na drevo, mora biti to drevo dobro zavarovano in stabilno.
- Pred uporabo ali vnovično uporabo natančno pregledjte izdelek. Zavrzite vse izdelke, ki imajo prerezano, poškodovano ali obrabljeno izolacijo ali kable žic, razpoke v nosilcih ali ohlajših žarnic, razrahljane povezave ali izpostavljeno bakreno žico.
- Pri shranjevanju izdelka bodite pozorni, da izdelek skrbno odstranite z nameščenele elementa, vključno z drevesi, vejami ali grmovjem. S tem se izognete nepotrebnim obremenitvam prevodnikov, priključkov in žic izdelka.
- Ko izdelek ni v uporabi, ga hranite v hladnem in suhem prostoru brez sočne svetlobe.

OPOZORILO – Če želite zmanjšati tveganje povzročitve požara in električnega udara:

- Izdelka ne nameščajte na drevesa z iglicami, listi ali prevlekami vej iz kovine ali materialov, ki so podobni kovini.
- Ne namestite žic na način, kjer bi lahko prišlo do poškodbe izolacije žic.

Iztava o omejitvi odgovornosti za razred A: Ta oprema je bila preizkušena in je skladna z omejitvami za digitalne naprave razreda A v skladu s 15. členom pravil FCC. Te omejitve so zasnovane tako, da zagotavljajo razumno zaščito pred škodljivimi motnjami pri namestitvi v stanovanjskih prostorih. Ta oprema ustvarja, uporablja in lahko oddaja radiofrekvenčno energijo, ki v primeru namestitve, ki ni v skladu z navodili, lahko povzroči škodljive motnje v radijskih komunikacijah. Kljub temu ni nobenega zagotovila, da pri določeni namestitvi ne bo prišlo do motenj. Če ta oprema povzroči škodljive motnje pri radijskem ali televizijskem sprejemu, kar je mogoče ugotoviti z izklopom in vklopom opreme, uporabnik opreme svetujemo, da poskusi

- Ekki festa víra eða setja þá upp þannig að það geti skorið eða skemmt víraeinangrunina.

- Fyrirvari fyrir flokk A:** Þessi búnaður hefur verið prófaður og er í samræmi við takmörkin fyrir stafrænt tæki í flokki A í samræmi við 15. hluta FCC reglna. Þessi takmörk eru hönnuð til að veita hæfilega vernd gegn skaðlegum truflunum í íbúðarhúsnæði. Þessi búnaður býr til, notar og geislar útvarpsbylgjum og ef hann er ekki settur upp og notaður samkvæmt leiðbeiningum getur það valdið skaðlegum truflunum á útvarpsfjarskipti. Þó er ekki hægt að tryggja að truflunin komi ekki fram í neinni upptengingu. Ef þessi búnaður veldur skaðlegum truflunum á móttöku útvarps eða sjónvarps, sem hægt er að staðfesta með því að slökkva og kveikja á búnaðinum, er notandi hvattur til að reyna að lagfæra truflunina með einni eða fleiri af eftirfarandi aðferðum:
 - Breyta stöðu eða staðsetningu móttökulofnetsins.
 - Skilja búnaðinn og móttakararnn lengra að
 - Tengja búnaðinn við innstungu sem er á önnarri ráfrás en þeirri sem móttakarinn er tengdur við.
- Leita ráða hjá faglærdum útvarps- sjónvarpstæknimanni.

Fyrirvari um samhæfi

Þráðlaus afköst eru háð Bluetooth/WiFi þráðlausri tækni tækisins, vinsamlegast skoðaðu framleiðanda tækisins. Ledworks SRL mun ekki bera ábyrgð á tapi gagna eða leka sem stafar af notkun þessara tækja.

ADVÖRUN!

Ekki tengja ljóssáskreytinguna við rafmagn á meðan hún er enn í umbúðunum. Ekki er hægt að gera við tengisnúruna eða skipta um hana. EKKI HÆGT AD SKIPTA UM PERUR. Ekki tengja þessa ljóssáskreytingu rafrænt við tæki frá öðrum framleiðanda. VARÚÐ! Hætta á kyrrkingu. Geymist þar sem ung börn ná ekki til.



Táknið með yfirstrikaða ruslafotu merki að ekki megi fleygja vörunni með venjulegu heimilisporpi. Endurvinnnið vöruna í samræmi við gildandi innlendar reglugerðir um förgun úrgangs.

Framleiðandinn, Ledworks Srl, lýsir því yfir að þetta tæki er í samræmi við tilskipanir (LVD) 2014/35/EU, (RED) 2014/53/EU, (EMC) 2014/30/EU, (RoHS) 2011/65/EU, (REACH) 1907/2006. Hægt er að nálgast allan texta ESB-samræmisyfirlýsingarginnar á eftirfarandi vefsíðu: **www.twinkly.com/certifications**

Kerfiskröfur	Tæknilysingar
Lágmarkskröfur fyrir snjallsíma eru iOS 11 og Android 5. Finndu nýjustu uppfærsluna í app store til að tryggja sem besta frammiðstöðu.	Aftlgaifi: sjá merki IP vörn: IP44

Fyrsta flokks LED díóður

Vörurnar frá Twinkly eru einöngu með háþágða LED ljós til að tryggja skara líti. RGB og RGB-W vorur frá Twinkly eru framleiðdar samkvæmt gæðareglum og -ferlum sem gera okkur kleift að ná fram afar hreinum og skærum frumlitum. Lágmarks hreinleikagildi í bláum, grænum og rauðum litum koma fram í töflunni hér fyrir neðan.

Bluetooth leyfi	
Bluetooth Bluetooth® orðmerkið og lógóin eru skráð vörumerki í eigu Bluetooth SIG, Inc. og öll notkun Ledworks SRL á slíkum merkjum er undir leyfi. Aðrir kaupmenn og viðskiptaheiti eru eigendur þeirra.	

Útvarpstíðni fyrir 802.11 b/g/n Wi-Fi / Bluetooth V4.2 BR/EDR/LE	Litahreinkleikagildi	
Blár	> 90%	
Tíðni 2402/2480 Mhz	Grænn	> 65%
Hámarks frálagsafl <100mW	Rauður	> 95%

** Gildin eiga eingöngu við um RGB (STP) og RGBW (SPP) vörur, ekki AWW (GOP) vörur*

Twinklys RGB- og RGB+W-þrudukter produseres í henhold til kvalitetsprinsippur og prosesser som gjør at vi kan oppnå en høy grad av renhet i primærfargene. Minimumsverdiene for eksitasjonsrenhet for de blå, grønne og røde komponentene er vist i tabellen nedenfor.

Bluetooth-lisensiering
Bluetooth®-ordmerket Bluetooth® og logoer er registrerte varemerker som eies av Bluetooth SIG, Inc. og enhver bruk av slike merker av Ledworks SRL er under lisens. Andre varemerker og handelsnavn tilhører sine respektive eiere.

Þetjene RF for 802.11 b/g/n Wi-Fi / Bluetooth V4.2 BR/EDR/LE	Verdier for fargerenhet	
Frekvens	Blá	90%
Max utgangseffekt Power <100mW	Grønn	> 65%
	Rød	> 95%

** Verdiene gjelder bare for RGB- (STP) og RGBW- (SPP) produkter, ikke AWW- (GOP) produkter*

LESTU ALLAR ÖRYGGISLEIÐBEININGARNAR OG FARÐU EFTIR ÞEIM.

- LESTU ALLAR ÖRYGGISLEIÐBEININGARNAR OG FARÐU EFTIR ÞEIM.
- Ekki setja á eða nálægt gas- eða rafmagnshiturum, arni, kertum eða öðrum álíka hitagjöfum.
- Ekki er hægt að skipta um ytri sveigjanlegan kapal eða snúru þessa lampa. Ef strengurinn er skemmdur skal lampinn eyðilagður. Ekki er hægt að skipta um ljósgjafa þessa lampa, þegar ljósgjafinn er úr sér genginn skal skipta um allan lampann.
- Þessi grein er ekki hentugur fyrir herbergisljósingu og það er aðeins til skrauts.
- Ekki festa snúror vörunnar með heftum eða nöglum eða setja þær á beltta króka eða nagla.
- Ekki láta ljós hvíla á rafmagnssnúrunni eða vír.
- Taktu vöruna úr sambandi þegar farið er út úr húsi eða þegar gengið er til svefnis eða þegar varan er skilin eftir án eftirlits.
- Þetta er rafmagnsvasa — ekki leikfang! Til að koma í veg fyrir eldhættu, bruna, meiðslu og raflost má ekki leika með vöruna eða setja þar sem börn ná til.
- Ekki nota þessa vöru á annan hátt en henni er ætlað.
- Ekki hengja skraut eða aðra hluti á rafmagnssnúruna, vírin eða ljósasnúruna.
- Ekki hylja vöruna með klæði, pappír eða öðru efni sem fylgdi ekki með vörunni þegar hún er í notkun.
- Ekki loka dýrum eða gluggum á vöruna eða framlengingarsnúror því það gæti skemmt víraeinangrunina.
- Lestu allar leiðbeiningar sem eru á vörunni eða fylgja með henni og farðu eftir þeim.
- GEYMDU LEIÐBEININGARNAR.
- Ekki tengja snúruna við rafmagn á meðan varan er í umbúðunum.
- Ef ljósin brotna eða skemmast má ekki nota snúruna eða stinga henni í samband, heldur skal farga henni á öruggan hátt.
- Ekki er hægt að skipta um ljósin.
- ADVÖRUN – HÆTTA Á RAFLOSTI EF LJÓSIN ERU BROTIN EÐA ÞÁU VANTAR. EKKI NOTA.

Leiðbeiningar um notkun og umhúð

- Þegar varan er sett á lifandi tré þarf það að vera vel viðhaldið og nýtt. Ekki setja vöruna á lifandi tré með brúnt eða stökkt barr sem brotnar auðveldlega af. Láttu trjástandinn alltaf vera fylltan af vatni.
- Ef varan er sett á tré verður það að vera vel fest og stöðugt.
- Skoðaðu vöruna vandlega fyrir hverja notkun. Hentu öllum vörum sem eru með skorna, skemmda eða troснаða víraeinangrun eða snúror, sprungur í ljóshöldurumum, lausar tengingar eða óvarinn koparvír.
- Þegar varan er sett í geymslu skal taka hana gætilega niður, hvort sem það er úr trjámm, greinum eða runnum, til að koma í veg fyrir óþarfa álag á leiðara, tengi og snúror vörunnar.
- Þegar varan er ekki í notkun skal geyma hana á svölum og þurrum stað fjarrí sólarljósi.

ADVÖRUN - Til að draga úr hættu á eldsvoða og raflosti:

- Ekki setja vöruna á tré með málmhluti eða efni sem líkast málmí yfir barri, laufum eða greinum.

- Lyspærene er ikke utskiftbare.

18. ADVARSEL – RISIKO FOR ELEKTRISK STØT HVIS LYSPÆRENE ER KNUST ELLER MÅNGLER, IKKE BRUK.

Bruks- og vedlikeholdsinstruksjoner

- Når produktet plasseres på et levende tre, skal treet være godt vedlikeholdt og friskt. Ikke plasser på levende trær der nålene er brune eller lett knekker av. Sørg for at treholderen til det levende treet hele tiden er fylt med vann.
- Hvis produktet plasseres på et tre, skal treet være godt sikret og stabilt.
- Før bruk eller gjenbruk bør du inspisere produktet nøye. Kast alle produkter som har kuttet, skadet eller frynset ledningsisolasjoner eller ledninger, sprekker i lampeholdere eller kabinetter, løse koblinger eller synlig kobbertråd.
- Når du oppbevarer produktet, må du fjerne produktet forsiktig fra der det er plassert, inkludert trær, grener eller busker, for å unngå unødig press eller belastning på produktets ledere, tilkoblinger og ledninger.
- Når det ikke er i bruk, oppbevar det trygt på et kjølig og tørt sted som er beskyttet mot sollys.

ADVARSEL - For å redusere risikoen for brann og elektrisk støt:

- Ikke installer på trær som har belegg av metall på nåler, blader eller grener, eller materialer som ser ut som metall.
- Ikke monter eller støtt ledninger på en måte som kan kutte eller skade ledningsisolasjonen.

Klasse A Ansvarsfrskrivelse: Dette utstyret har blitt testet og funnet å være i samsvar med grensene for en Klasse A digital enhet. I henhold til Del 15 i FCC-reglene. Disse grensene er utformet for å gi rimelig beskyttelse mot skadelig interferens i en boliginstallasjon. Dette utstyret genererer, bruker og kan utstråle radiofrekvensenergi, og hvis det ikke installeres og brukes i samsvar med instruksjonene, kan det forårsake skadelig interferens på radiokommunikasjon. Det er imidlertid ingen garanti for at interferens ikke vil oppstå i en bestemt installasjon. Hvis dette utstyret forårsaker skadelig interferens på radio- eller TV-mottak, noe som kan fastslås ved å slå utstyret av og på, oppfordres brukeren til å prøve å korrigere interferensen med ett eller flere av følgende tiltak:

- Vend eller flytt mottakerantennen.
- Øk avstanden mellom utstyret og mottakeren.
- Koble utstyret til en stikkontakt på en annen krets enn den mottakeren er koblet til.
- Kontakt forhandleren eller en erfaren radio/tv-tekniker for å få hjelp.

Ansvarsfrskrivelse for Kompatibilitet

Trådløs ytelse er avhengig av enhetens trådløse Bluetooth/WiFi-teknologi, se produsenten av enheten. Ledworks SRL er ikke ansvarlig for tap av data eller lekkasjer som følge av bruk av disse enhetene.

ADVARSEL!

Ikke koble lysstrengen til strømforsyningen mens den er i emballasjen. Tilkoblingskabelen kan ikke repareres eller erstattes. IKKE UTBYTTBARE LYSPÆRER. Ikke koble denne lysstrengen elektrisk til enheter fra en annen produsent. FORSIKTIG! Kveilningsfare. Oppbevares utliggjengelig for små barn.



Symbol et med en søppeldunk med kryss over indikerer at varen skal kastes separat fra husholdningsavfallet. Varen skal leveres til gjenvinning i henhold til lokale miljøforskrifter for avfallshåndtering..

Produsenten, Ledworks Srl, erklærer at denne enheten er i samsvar med (LVD) 2014/35/EU-, (RED) 2014/53/EU-, (EMC) 2014/30/EU-, (RoHS) 2011/65/EU- og (REACH) 1907/2006-direktivene. Den fullstendige teksten til EU-samsvarserklæringene er tilgjengelig på følgende internettdress: **www.twinkly.com/certifications**

Systemkrav	Tekniske spesifikasjoner
Minimum systemkrav for mobiltelefoner er iOS 11 og Android 5. Sjekk appbutikken for siste oppdatering for å sikre best mulig ytelse.	Strømforsyning: se etikett <p>IP-beskyttelse: IP44</p>

Førsteklasses LED-dioder

For å sikre høy fargegjengivelse bruker Twinkly-produkter kun høykvalitets lysdioder.

odpraviť motnje z enim ali več ukrepi:

- Preusmerítev ali prestavítev sprejemne antene.
- Preusmerítev ali prestavítev sprejemne antene.
- Príklop opreme v vtičnico v tokokrogu, ki se razlikuje od tistega, v katerega je priklúčen sprejemník.
- Povšet s prodajalcem ali izkušením radijským/televízjským technikom.

Zavrnitev odgovornosti glede združljivosti

Brezčična zmogljivost je odvisna od brezčične tehnológie Bluetooth/WiFi vaše naprave, zato se obrnite na proizvajalca naprave. Družba Ledworks SRL ni odgovorna za morebitno izgubo podatkov ali uhajanje, ki bi nastalo zaradi uporabe teh naprav.

⚠ OPOZORILO!

Svetlobnega traku ne priklopite na napajanje, dokler je v embalaži. Priključnega kabla ni mogoče popraviti ali zamenjati. NEZAMENJLIJIVE ŽARNICE. Svetlobnega traku električno ne povežite z napravami drugih proizvajalcev. POZOR! Nevarnost zadušitve. Hranite zunaj dosega majhnih otrok.



Symbol prečrtanega smetnjaka na kolesih pomeni, da je izdelek treba odvreči ločeno od drugih gospodárjskih odpadkov. Izdelek je treba oddati v reciklažo skladno s lokalnimi okoljskimi predpisi za odstranjevanje odpadkov.

Proizvajalec Ledworks Srl izjavlja, da je ta naprava skladna z direktivami (LVD) 2014/35/EU, (RED) 2014/53/EU, (EMC) 2014/30/EU, (RoHS) 2011/65/EU, (REACH) 1907/2006. Celotno besedilo EU izjave o skladnosti je na voljo na spletnem naslovu: www.twinkly.com/certifications

Sistemske zahteve	Tehnični podatki
Najmanjše sistemske zahteve za mobilne telefone sta sistem iOS 11 in Android 5. Če želite zagotoviti najboljšo delovanje aplikacije, v trgočnici z aplikacijami preverite za najnovjšo posodobitev.	Napajanje: glej etiketo Stopnja zaščite IP: IP44

Vrhunske lučke LED

Da bi zagotovili visoko barvno upodabljanje, v izdelkih Twinkly uporabljamo samo visokokakovostne lučke LED. Izdelki Twinkly RGB in RGB+W so izdelani po načelih kakovosti in postopkih, ki nam omogočajo visoko stopnjo čistosti osnovnih barv. Najmanjše vrednosti osnovnih komponent modre, zelene in rdeče so prikazane v spodnji tabeli.

Licenciranje Bluetooth

Besedna znamka in logotipi Bluetooth Bluetooth® so registrirane blagovne znamke v lasti družbe Bluetooth SIG, Inc. in vsaka uporaba teh znamk s strani družbe Ledworks SRL je licenčna. Druge blagovne znamke in trgovska imena so last njihovih lastnikov.

Radijska frekvenca za 802.11 b/g/n Wi-Fi / Bluetooth V4.2 BR/EDR/LE	Vrednosti čistosti barve
Frekvenca 2402/2480 Mhz	Modra > 90%
Največja izhodna moč <100mW	Zelena > 65%
	Rdeča > 95%

** Vrednosti veljajo samo za izdelke RGB (STP) in RGBW (SPP), ne veljajo za izdelke AWW (GOP)*

SK Prečítajte si a dodržiavajte všetky bezpečnostné pokyny.

1. PŘEČÍTAJTE SI A DODRŽÍVAJTE VŠETKY BEZPEČNOSTNÉ POKYNY.
2. Neinštalujte ani neumiestňujte do blízkosti plynových alebo elektrických ohrievačov, krbov, sviečok alebo iných podobných zdrojov tepla.
3. Vonkajší ohýbný kábel alebo šnúru tohto svietidla nemožno vymeniť, ak sa šnúra poškodí, svietidlo sa zničí. Svetelný zdroj tohto svietidla nie je možné vymeniť, keď sa životnosť svetelného zdroja skončí, musí sa vymeniť celé svietidlo.
4. Tento výrobok nie je vhodný na osvetlenie miestnosti a slúži len na dekoráciu.

5. Zapojenie výrobku nezabezpečujte sponkami alebo klincami, ani ich neumiestňujte na ostré háčiky alebo klince.
6. Nenechávajte lampy ležať na prívodnom kábli alebo na akomkoľvek kábli.
7. Pri odchode z domu alebo pri odchode na noc, alebo ak zostane bez dozoru, odpojte výrobok zo zásuvky.
8. Toto je elektrický výrobok - nie hračka! Aby sa predišlo riziku požiaru, popálenia, poranenia osoba o úrazu elektrickým prúdom, nemali by sa s ním hrať ani ho umiestňovať na miesta, kde naň môžu dosiahnuť malé deti.
9. Nepoužívajte tento výrobok na iné ako určené použitie.
10. Na kábel, drôt alebo svetelnú šnúru nezavesujte ozdoby ani iné predmety.
11. Počas používania nezakrývajte výrobok látkou, papierom ani žiadnym materiálom, ktorý nie je súčasťou výrobku.
12. Nezatvárajte dvere alebo okná na výrobku alebo predlžovacích kábloch, pretože by mohli dôjsť k poškodeniu izolácie vodičov.
13. Prečítajte si a dodržiavajte všetky pokyny, ktoré sú uvedené na výrobku alebo dodané s výrobkom.
14. USCHOVAJTE TIETO POKYNY.
15. Nepripájajte rezak k zdroju, pokiaľ je v obale.
16. Ak dôjde k rozbitiu alebo poškodeniu žiaroviek, rezaz sa nesmie používať/napájať, ale musí sa bezpečne zlikvidovať.
17. Žiarovky nie sú vymeniteľné.
18. VAROVANIE - RIZIKO ÚRAZU ELEKTRICKÝM PRÚDOM, AK SÚ LAMPY ROZBITÉ ALEBO CHÝBAJÚ. NEPOUŽÍVAJTE.

Návod na použitie a starostlivosť

- a. Ak je výrobok umiestnený na živom strome, strom by mal byť dobre udržiavaný a čerstvý. Prípravok neumiestňujte na živé stromy, ktorých ihličie je hneď alebo sa ľahko láme. Držiak na živý stromček udržiavajte naplnený vodou.
- b. Ak je výrobok umiestnený na strome, strom by mal byť dobre upravený a stabilný.
- c. Pred použitím alebo opätovným použitím výrobok dôkladne skontrolujte. Zlikvidujte všetky výrobky, ktoré majú prerezanú, poškodenú alebo rozstrapkanú izoláciu vodičov alebo káblu, praskliny v držiakoch alebo kroyoch svietidla, uvoľnené spoje alebo odhalené medené vodiče.
- d. Pri skladovaní výrobku opatrne odstráňte výrobok z miesta, kde je umiestnený, vrátane stromov, konárov alebo krikov, aby ste zabránili akémukoľvek nadmernému namáhaniu alebo zataženiu vodičov, spojov a káblu výrobku.
- e. Ak sa nepoužíva, skladujte ho na chladnom a suchom mieste chránenom pred slnečným žiarením.

VAROVANIE - Na zníženie rizika požiaru a úrazu elektrickým prúdom:

- a. Neinštalujte na stromy, ktoré majú ihličie, listy alebo konáre pokryté kovom alebo materiálmi, ktoré vyzerajú ako kov.
- b. Nepripevňujte ani nepodpierajte vodiče spôsobom, ktorý by mohol prerezať alebo poškodiť izoláciu vodičov.

Upozornenie na triedu A: Toto zariadenie bolo testované a vyhovuje limitom pre digitálne zariadenia triedy A podľa časti 15 pravidiel FCC. Tieto limity sú navrhnuté tak, aby poskytovali primeranú ochranu pred škodlivým rušením v obytných inštaláciách. Toto zariadenie generuje, využíva a môže vyžarovať rádiovú frekvenčnú energiu, a ak nie je nainštalované a používané v súlade s pokynmi, môže spôsobiť škodlivé rušenie rádiové komunikácie. Neexistuje však žiadna záruka, že v konkrétnej inštalácii nedôjde k rušeniu. Ak toto zariadenie spôsobuje škodlivé rušenie rozhlasového alebo televízneho príjmu, čo možno zistiť vypnutím a zapnutím zariadenia, používateľovi sa odporúča, aby sa pokúsil odstrániť rušenie jedným alebo viacerými z nasledujúcich opatrení:

- Zmeňte orientáciu alebo umiestnenie prijímacej antény.
- Zvýšte vzdialenosť medzi zariadením a prijímačom.
- Zariadenie pripojte do zásuvky v inom obvode, ako je obvod, ku ktorému je pripojený prijímač.
- Poradte sa s predajcom alebo skúseným technikom pre rádio/televíziu.

Zrieknutie sa zodpovednosti za kompatibilitu

Brezčična zmogljivost je odvisna od brezčične tehnológie Bluetooth/WiFi vaše naprave, zato se obrnite na proizvajalca naprave. Družba Ledworks SRL ni odgovorna za morebitno izgubo podatkov ali uhajanje, ki bi nastalo zaradi uporabe teh naprav.

⚠ VÝSTRAHA!

Svetelný rezazec nepripájajte k zdroju napájania, kým je v obale.Pripojovací kábel nie je možné opraviť ani vymeniť. NEVYMENITELNÉ ŽIAROVKY. Túto svetelnú rezaz elektrický nepripájajte k zariadeniam od iného výrobcu. POZOR! Nebezpečenstvo usškrcenia. Uchovávajte mimo dosahu malých detí.



Symbol přeškrtnutého koša na odpadky na kolieskach znamená, že predmet by sa mal likvidovať oddelene od odpadu z domácnosti. Predmet by sa mal odovzdať na recykliáciu v súlade s miestnymi predpismi o ochrane životného prostredia pre likvidáciu odpadu..

Výrobca, spoločnosť Ledworks Srl, vyhlasuje, že toto zariadenie je v súlade so smernicami (LVD) 2014/35/EU, (RED) 2014/53/EU, (EMC) 2014/30/EU, (RoHS) 2011/65/EU, (REACH) 1907/2006. Úplné znenie EÚ vyhlásenia o zhode je k dispozícii na tejto internetovej adrese: www.twinkly.com/certifications.

Systémové požiadavky	Technické špecifikácie
Minimálne systémové požiadavky pre mobilné telefóny sú iOS 11 a Android 5. Ak chcete zabezpečiť čo najlepší výkon, skontrolujte si v obchode s aplikáciami najnovšiu aktualizáciu.	Napájanie: pozri štítok Krytie IP: IP44

Prvotriedne LED diódy

Na zabezpečenie vysokého podania farieb používajú produkty Twinkly iba vysokokvalitné LED diódy. Produkty Twinkly RGB a RGB+W sa vyrábajú podľa zásad kvality a procesov, ktoré nám umožňujú získať vysoký stupeň čistoty základných farieb. Minimálne hodnoty čistoty budenia modrých, zelených a červených komponentov sú uvedené v tabuľke nižšie.

Licencovanie Bluetooth

Slovná značka a logá Bluetooth Bluetooth® sú registrované ochranné známky, ktoré vlastní spoločnosť Bluetooth SIG, Inc., a akékoľvek použitie týchto značiek spoločnosťou Ledworks SRL je na základe licencie. Ostatné ochranné známky a obchodné názvy patria príslušným vlastníkom.

Prevádzkové RF pre 802.11 b/g/n Wi-Fi / Bluetooth V4.2 BR/EDR/LE	Hodnoty čistoty farieb
Frekvencia 2402/2480 Mhz	Modrá > 90%
Maximálny výstupný výkon <100mW	Zelena > 65%
	Červená > 95%

** Hodnoty platia len pre produkty RGB (STP) a RGBW (SPP), nie produkty AWW (GOP)*

CS Přečtete si a dodržiujte všechny bezpečnostní pokyny.

1. PŘEČÍTAJTE SI A DODRŽÍVAJTE VŠECHNY BEZPEČNOSTNÍ POKYNY.
2. PŘEČÍTAJTE SI A DODRŽÍVAJTE VŠECHNY BEZPEČNOSTNÍ POKYNY.
3. Neinstalujte a neumístějte produkt v blízkosti plynových nebo elektrických ohřivačů, krbů, svíček nebo jiných podobných zdrojů tepla.
4. Vnější ohebný kabel nebo šňůru tohoto svítidla nelze vyměnit; pokud je šňůra poškozena, musí být svítidlo zničeno. Světelný zdroj tohoto svítidla nelze vyměnit; po skončení životnosti světelného zdroje se celé svítidlo vymění.
5. Tento výrobek není vhodný k osvětlení místnosti a slouží pouze k dekorativnímu účelům.
6. Nezapínejte kabeláž produktu sponkami nebo hřebíky ani jej nepokládejte na ostré háčky nebo hřebíky.
7. Nenechávejte žárovky ležet na napájecím kabelu nebo na jakémkoliv jiném drátu.
8. Odpojte produkt ze zásuvky, když opouštíte dům, když jdete spát, nebo kdykoliv je ponechán bez dozoru.
9. Toto je elektrický výrobek - ne hračka! Abyste se vyhnuli riziku požáru, popálení, zranění osob a úrazu elektrickým proudem, umístěte ho tak, aby na něj nedosáhly malé děti a nehraly si s ním.

10. Nepoužívejte tento výrobek k jiným účelům, než ke kterým je určen.
11. Nezavěšujte na kabel, dráty nebo řetěz ozdoby nebo jiné předměty.
12. Při používání nezakrývejte produkt látkou, papírem ani jiným materiálem, který není součástí produktu.
13. Nepřivírejte produkt ani produžovací kabely do dveří ani oken, mohlo by dojít k poškození izolace vodičů.
14. Přečtete si a dodržujte všechny pokyny uvedené na produktu nebo s ním dodané.
15. USCHOVEJTE TYTO POKYNY.
16. Nepřipójujte řetěz ke zdroji, pokud je v obalu.
17. Pokud dojde k rozbití nebo poškození žárovek, řetěz nesmí být používán/napájen, ale musí být bezpečně zlikvidován.
18. Žárovky nejsou vyměnitelné.
19. VAROVÁNÍ – RIZIKO ÚRAZU ELEKTRICKÝM ProuDEM, POKUD JSOU ŽÁROVKY PORUŠENÉ NEBO CHYBĚJÍ. V TAKOVÉM PŘÍPADĚ PRODUKT NEPOUŽÍVEJTE.

Návod k použití a údržbě

- a. Když je produkt umístěn na živý stromek, stromek by měl být v dobré kondici a čerstvý. Nepokládejte světla na stromky, které mají suché nebo opadávající jehličí. Stojan na stromek by měl být naplněný vodou.
- b. Pokud je produkt umístěn na stromku, měl by být stromek dobře zajištěný a stabilní.
- c. Před použitím nebo opätovným použitím výrobek pečlivě skontrolujte. Zlikvidujte všechny produkty, které mají nařiznutou, poškozenou nebo roztrpěnou izolaci kabelů, praskliny v objímá-kách nebo krytech žárovek, uvoľněné spoje nebo obnažené měděné vodiče.
- d. Při uklizení produktu ho opatrně odstraňte ze všech míst, kde je nainštalován, včetně stromků, větví nebo keřů, tak, aby nedošlo k nadměrnému namáhání vodičů nebo konektorů produktu.
- e. Když se produkt nepoužívá, skladujte ho bezpečně na chladném a suchém místě chráněném před slunečným zářením.

VAROVÁNÍ - pro snížení rizika požáru a úrazu elektrickým proudem:

- a. Neinstalujte na stromky s jehličím, listím nebo obaly větví z kovu nebo materiálu, které vypadají jako kov.
- b. Nemontujte ani nepodpírejte dráty způsobem, při kterém by mohlo dojít k přefíznutí nebo poškození izolace kabelu.

Prohlášení třídy A: Toto zařízení bylo testováno a splňuje limity pro digitální zařízení třídy A podle části 15 pravidel FCC. Tyto limity jsou navrženy tak, aby poskytovaly přiměřenou ochranu proti škodlivému rušení při instalaci v obytném prostoru. Toto zařízení generuje, využívá a může vyzařovat vysokofrekvenční energii, a pokud není instalováno a používáno v souladu s pokyny, může způsobit škodlivé rušení rádiových komunikací. Neexistuje však žádná záruka, že v konkrétní instalaci k rušení nedojde. Pokud toto zařízení způsobuje škodlivé rušení rozhlasového nebo televízního příjmu, což lze zjistit vypnutím a zapnutím zařízení, doporučujeme uživatelé, aby se pokusili rušení odstranit jedním nebo více z následujících opatření:

- Přeorientujte nebo přemístěte přijímací anténu.
- Zvětšete vzdálenost mezi zařízením a přijímačem.
- Pripójujte zařízení do zásuvky na jiném okruhu, než ke kterému je připojen přijímač.
- Požádejte o pomoc prodávce nebo zkušeného rádiového/televízního technika.

Prohlášení o kompatibilitě

Bezdrátový výkon závisí na bezdrátové technologii Bluetooth/WiFi vašeho zařízení, informujte se u výrobce zařízení. Společnost Ledworks SRL nenese žádnou odpovědnost za ztrátu dat nebo úniky vyplývající z používání těchto zařízení.

⚠ VAROVÁNÍ!

Nepřipójujte světelný řetěz k napájecímu zdroji, dokud je v obalu. Pripójuovací kábel nelze opravit ani vymeniť. NEVYMENITELNÉ ŽÁROVKY. Nepřipójujte tento světelný řetěz k elektrickým zařízením od jiného výrobce. POZOR! Nebezpečí usškrcení. Uchovávajte mimo dosah malých detí.



Symbol přeškrtnutého popelnice na kolečkách znamená, že produkt by neměl být ukládan do smšného odpadu. Měl by být předán k recykliaci v souladu s místními předpisy o životním prostředí pro likvidaci odpadu.

Výrobce Ledworks Srl prohlašuje, že toto zařízení je v souladu s (LVD)2014/35/EU, (RED) 2014/53/ EU, (EMC) 2014/30/EU, (RoHS) 2011/65/EU, (REACH) 1907/2006. Plně znění EU prohlášení o shodě je k dispozici na následující internetové adrese: **www.twinkly.com/certifications**

Systémové požadavky	Technické specifikace
Minimální požadované požadavky pro mobilní telefony jsou iOS 11 a Android 5. Chcete-li zajistit nejlepší výkon, zkontrolujte v obchodě s aplikacemi nejnovější aktualizace.	Napájení: viz štítek <p>Krytí IP: IP44</p>

Prvotřídní LED diody

Pro zajištění vysokého barevného rozlišení používají produkty Twinkly pouze vysoce kvalitní LED diody.

Produkty Twinkly RGB a RGB+W jsou vyráběny podle zásad kvality a procesů, které nám umožňují získat vysoký stupeň čistoty základních barev.

Minimální hodnoty čistoty excitace modré, zelené a červené složky jsou uvedeny v tabulce níže.

Licencování Bluetooth

Slovní značka a loga Bluetooth Bluetooth® jsou registrované ochranné známky vlastněné společností Bluetooth SIG, Inc. a jakékoli použití těchto značek společnost Ledworks SRL podléhá licenci. Ostatní ochranné známky a obchodní názvy patří příslušným vlastníkům.

Provoz bexdrátového připojení 802.11 b/g/n Wi-Fi / Bluetooth V4.2 BR/EDR/LE	Hodnoty čistoty barev
Frekvence 2402/2480 Mhz	Modrá > 90%
Maximální výstupní výkon <100mW	Zelená > 65%
	Červená > 95%

** Hodnoty platí pouze pro produkty RGB (STP) a RGBW (SPP), nikoli produkty AWW (GOP)*

HU Olvassa el és tartsa be az összes biztonsági utasítást.

- OLVASSA EL, ÉS TARTSON BE MINDEN BIZTONSÁGI UTASÍTÁST
- Ez a szezonális felhasználású termék nem állandó telepítésre vagy használatra készült.
- A lámpatest külső hajlékony kábele vagy zsinórnja nem cserélhető; ha a zsinór megsérül, a lámpatestet meg kell semmisíteni. A lámpatest fényforrása nem cserélhető; ha a fényforrás eléri élettartama végét, az egész lámpatestet ki kell cserélni.
- Ez a cikk nem alkalmas helyiségek megvilágítására, és csak dekorációs célokra szolgál.
- Ne szerelje fel vagy helyezze gáz- vagy elektromos fűtőtestek, kandallók, gyertyák vagy hasonló hőforrások közelébe.
- Ne rögzítse a termék vezetékait kapcsokkal vagy szögekkel, és ne akassza éles horgokra vagy szögekre.
- Ne engedje, hogy a lámpák érintkezzenek a tápkábelrel vagy bármilyen vezetékkel.
- Húzza ki a terméket a konnektorból, ha elhagyja a házat, nyugovóra tér, vagy felügyelet nélkül hagyja.
- Ez egy elektromos termék – nem játékszer! A tűz, égés, személyi sérülések és áramütés veszélyének elkerülése érdekében nem szabad játszani vele, vagy olyan helyre helyezni, ahol kisgyermekek elérhetik.
- A terméket ne használja a rendeltetésétől eltérő célra.
- A zsinórra, vezetékre vagy fénycsőre ne akasszon díszeket vagy más tárgyakat.
- Használat közben ne takarja le a terméket ruhával, papírral vagy más anyaggal, amely nem a termék része.
- Ne csukja rá az ajtót vagy ablakot a termékre vagy a hosszabbító kábelekre, mert ezzel megsérülhet a vezeték szigetelését.
- Olvassa el és tartsa be a terméken található vagy a termékhez mellékelte összes utasítást.
- ŐRIZZE MEG EZEKET AZ UTASÍTÁSOKAT.
- Ne csatlakoztassa a láncot a tápellátáshoz, amíg be van csomagolva.
- Ha a lámpák eltörnek vagy megsérülnek, a láncot nem szabad használni/feszültség alá helyezni, biztonságosan ártalmatlanítani kell.
- A lámpák nem cserélhetők.

19. FIGYELMEZTETÉS – A TÖRÖTT VAGY HIÁNYZÓ LÁMPA ÁRAMÚTÉST OKOZHAT. NE HASZNÁLJA.

Használati és kezelési utasítások

- a. Ha a terméket élő fára helyezi, a fa legyen gondozott és friss. Ne helyezze olyan élő fára, amelyen a tűk barnák vagy könnyen hullanak. Az élő fa tartója mindig legyen vízzel feltöltve.
- b. Ha a terméket fára helyezi, a fát rögzítse szilárdan, hogy stabilan álljon.
- c. Használat vagy ismételt használat előtt alaposan vizsgálja meg a terméket. Dobjon ki mind- en olyan terméket, amelyen elvágódott, megsérült vagy kikopott a vezeték szigetelése vagy maga a vezeték, megrepedt a lámpa tartója vagy burkolata, megajultak a csatlakozások vagy csupaszá vált a rézhuzal.
- d. A termék tárolásakor óvatosan távolítsa el a terméket a helyéről, beleértve a fákat, ágakat vagy bokrokat, hogy a termék csatlakozásai, csatlakozói és vezetéknei ne legyenek túlzott fizikai hatásoknak vagy igénybevételnek kitéve.
- e. Ha nem használja, tárolja hűvös, száraz, napfénytől védett helyen.

FIGYELMEZTETÉS - A tűz és az áramütés kockázatának csökkentése érdekében:

- a. Ne telepítse olyan fákra, amelyek tűi, levelei vagy ágai fémmel vagy fémnek látszó anyaggal vannak bevonva.
- b. Ne szerelje fel vagy támassza alá a vezetékeket úgy, hogy a vezetékek szigetelése megszakadjon vagy megsérüljön.

A osztályú felelősség kizárása: A berendezést tesztelték, és megállapították, hogy megfelel a A osztályú digitális eszközökre vonatkozó határértékeknek az FCC-szabályok 15. része szerint. Ezeket a határértékeket úgy határozták meg, hogy lakossági telepítés esetén ésszerű védelmet nyújtsanak a káros interferenciák ellen. A berendezés rádiófrekvenciás energiát állít elő, használ és sugározhat ki, és ha nem az utasításoknak megfelelően telepítik és használják, zavarhatja a rádiókommunikációt. Azonban nem garantálható, hogy egy konkrét telepítés során nem lép fel zavar. Ha a berendezés káros interferenciát okoz a rádió- vagy televízióvetelben, ami a berendezés ki- és bekapcsolásával állapítható meg, azt tanácsoljuk, hogy próbálja meg kiküszöbölni az interferenciát az alábbi intézkedések valamelyikével vagy azok kombinációjával:

- Irányítsa más felé, vagy helyezze át a vezetékenát.
- Növelje a távolságot a berendezés és a vevő között.
- Csatlakoztassa a berendezést a vevő áramkörétől különböző áramkóron lévő aljzathoz.
- Kérjen segítséget a kereskedőtől vagy egy tapasztalt rádió-/televízió-technikustól.

Kompatibilitási nyilatkozat

A vezeték nélküli teljesítmény az eszköz Bluetooth/WiFi vezeték nélküli technológiájától függ, kérjük, forduljon az eszköz gyártójához. A Ledworks SRL nem vállal felelősséget az ilyen eszközök használatából eredő adatvesztésért vagy szivárgásért.

▲ FIGYELEM!

Ne csatlakoztassa a fénycsőre a tápegységhez, amíg be van csomagolva. A csatlakozókábel nem javítható vagy cserélhető. NEM CSERÉLHETŐ IZZÓK. Ne csatlakoztassa a fénycsőre más gyártó készülékeinek elektromos rendszeréhez. VIGYÁZATI! Fulladásveszély. Kisgyermekek elől elzárva tartandó.



■ Az áthúzott keresek kuka szimbólum azt jelzi, hogy az elemet a háztartási hulladéktól elkülönítve kell kidobni. A terméket a helyi hulladékkezelési előírásoknak megfelelően kell leadni újrahasznosítás céljából.

A gyártó, a Ledworks Srl kijelenti, hogy az eszköz megfelel az (LVD) 2014/35/EU, (RED) 2014/53/ EU, (EMC) 2014/30/EU, (RoHS) 2011/65/EU, (REACH) 1907/2006 irányelveknek. Az EU-megfelelőségi nyilatkozat teljes szövege a következő internetes címen érhető el: **www.twinkly.com/certifications**

Rendszerkövetelmény	Műszaki adatok
A mobiltelefonok rendszerére vonatkozó minimális követelmény	Tápellátás: lásd a címkét
iOS 11 illetve Android 5. A legjobb teljesítmény érdekében keresse	IP védettség: IP44
a legújabb frissítéseket az Alkalmazásáruházban.	

Prémium minőségű LED-diódák

A minőségű színsvinzaadás érdekében a Twinkly termékek csak kiváló minőségű LED-eket

használnak.

A Twinkly RGB és RGB+W termékei olyan minőségí elvek betartásával és eljárásokkal készülnek, amelyek segítségével nagy tisztaságú alapszíneket érhetünk el.

Az alábbi táblázat a kék, zöld és piros komponensek minimális gerjesztési tisztasági értékeit mutatja.

Bluetooth-licenclés

A Bluetooth Bluetooth® szóvédjegy és a logók a Bluetooth SIG, Inc. bejegyzett védjegyei, és a Ledworks SRL által történő felhasználásuk licenc alapján történik. Egyéb védjegyek és kereskedelmi nevek a megfelelő tulajdonosok tulajdonát képezik.

Az RF működtetése 802.11 b/g/n Wi-Fi / Bluetooth V4.2 BR/EDR/LE	Szintisztsasági értékek
Frekvencia 2402/2480 Mhz	Kék > 90%
Max kimeneti teljesítmény <100mW	Zöld > 65%
	Piros > 95%

** Az értékek csak RGB (STP) és RGBW (SPP) termékekre vonatkoznak, AWW (GOP) termékekre nem*

RO Citește și urmează toate instrucțiunile privind siguranța.

- CITEȘTE ȘI URMEAȚĂ TOATE INSTRUCȚIUNILE PRIVIND SIGURANȚA.
- Nu monta și nu amplasa lângă încălzitoare pe gaz sau electrice, șeminee, lumânări sau alte surse similare de căldură.
- Cablul sau cablul flexibil extern al acestui corp de iluminat nu poate fi înlocuit; în cazul în care cablul este deteriorat, corpul de iluminat trebuie distrus. Sursa de lumină a acestui corp de iluminat nu poate fi înlocuită; atunci când sursa de lumină ajunge la sfârșitul duratei de viață, întregul corp de iluminat trebuie înlocuit.
- Acest articol nu este potrivit pentru iluminarea unei încăperi și este doar în scop decorativ.
- Nu fixa cablurile produsului cu capace sau cuie și nu pune pe cărlige sau cuie ascuțite.
- Nu lăsa lămpile să se sprijine pe cablul de alimentare sau pe orice cablu.
- Deconectează produsul când pleci de acasă, când te culci sau dacă este lăsat nesupravegheat.
- Acesta este un produs electric — nu o jucărie! Pentru a evita riscul de incendiu, arsuri, vătămări corporale și șoc electric, nu trebuie să te joci cu acesta sau să îl amplasezi în locuri în care copii mici pot ajunge la el.
- Nu utiliza acest produs pentru alte utilizări decât cele prevăzute.
- Nu așază ornamente sau alte obiecte de cablu, sârmă sau sfoară ușoară.
- Nu acoperi produsul cu cârpă, hârtie sau orice material care nu face parte din produs atunci când este utilizat.
- Nu prinde produsul sau prelungitoarele la uși sau ferestre deoarece acest lucru poate deteriora izolația firului.
- Citește și urmează toate instrucțiunile de pe produs sau furnizate împreună cu produsul.
- PĂSTREAZĂ ACESTE INSTRUCȚIUNI.
- Nu conectați lanțul la sursă în timp ce este în ambalaj.
- În cazul în care lămpile se sparg sau se deteriorează, lanțul nu trebuie utilizat/alimentat, ci aruncat în condiții de siguranță.
- Lămpile sunt de unică folosință.
- AVERTISMENT – RISC DE ELECTROCUTARE DACĂ LĂMPILE SUNT SPARTE SAU LIPSESC. A NU SE FOLOSI.

Instrucțiuni de utilizare și îngrijire

- a. Când produsul este așezat pe un copac adevărat, acesta trebuie să fie bine întreținut și proaspăt. Nu îl așeza pe copaci adevărați, ale căror ace sunt maronii sau se desprind ușor. Păstrează suportul pentru copacul adevărat plin cu apă.Wird das Produkt auf einem Baum angebracht, muss der Baum gut gesichert und stabil sein.
- b. Dacă produsul este așezat pe un copac, acesta trebuie să fie bine asigurat și stabil.
- c. Înainte de utilizare sau reutilizare, inspectează produsul cu atenție. Aruncă orice produse care au tăiat, deteriorat sau uzat izolația firelor sau cablurile, fisuri în suporturile sau carcasele lămpii, conexiuni slăbite sau fire de cupru expuse.
- d. Când depozitezi produsul, îndepărtează cu grijă produsul de oriunde este amplasat, inclusiv

copaci, ramuri sau tufișuri, pentru a evita orice presiune sau stres nejustificată(ă) asupra conductorilor, conexiunilor și firelor produsului.

e. Când nu este folosit, păstrează-l într-un loc răcoros și uscat, ferit de lumina soarelui.

AVERTISMENT - Pentru a reduce riscul de incendiu și electrocutare:

- a. Nu instala pe copaci cu ace, frunze sau acoperiri ale ramurilor din metal sau materiale care arată ca metalul.
- b. Nu monta sau sprijini firel într-un mod care poate tăia sau deteriora izolația firului.

Declinare a responsabilității Clasa A: Acest echipament a fost testat și s-a constatat că respectă limitele pentru un dispozitiv digital de Clasa A în conformitate cu Partea 15 din Regulile FCC. Aceste limite sunt concepute pentru a oferi o protecție rezonabilă împotriva interferențelor dăunătoare într-o instalație rezidențială. Acest echipament generează, utilizează și poate radia energie de frecvență radio și, dacă nu este instalat și utilizat în conformitate cu instrucțiunile, poate provoca interferențe dăunătoare comunicațiilor radio. Cu toate acestea, nu există nicio garanție că interferențele nu vor apărea într-o anumită instalație. Dacă acest echipament cauzează interferențe dăunătoare recepției radio sau televiziunii, cea ce poate fi determinat prin oprirea și pornirea echipamentului, utilizatorul este încurajat să încerce să corecteze interferența prin una sau mai multe dintre următoarele măsuri:

- Reorientează sau mută antena de recepție.
- Mărește distanța dintre echipament și receptor.
- Conectează echipamentul la o priză de pe un circuit diferit de cel la care este conectat receptorul.
- Consultă distribuitorul sau un tehnician radio/televiziune cu experiență pentru ajutor.

Compatibilitate Renunțare

Performanțele wireless depind de tehnologia wireless Bluetooth/WiFi a dispozitivului dvs.; consultați producătorul dispozitivului. Ledworks SRL nu va fi răspunzătoare pentru pierderile de date sau scurgerile de informații rezultate din utilizarea acestor dispozitive.

▲ AVERTIZARE!

Nu conecta șirul de lumină la sursa de alimentare în timp ce este în ambalaj. Cablul de conectare nu poate fi reparat sau înlocuit. BECURI DE UNICĂ FOLOSINȚĂ. Nu conecta acest șir de lumină electric la dispozitive de la alt producător. ATENȚIE! Pericol de strangulare. A nu se lăsa la îndemâna copiilor mici.



■ Simbolul coșului de gunoi tăiat cu roți indică faptul că articolul trebuie aruncat separat de deșeurile menajere. Articolul trebuie predat pentru reciclare în conformitate cu reglementările locale de mediu pentru eliminarea deșeurilor..

Producătorul, Ledworks Srl, declară că acest dispozitiv respectă Directivele (LVD) 2014/35/EU, (RED) 2014/53/EU, (EMC) 2014/30/EU, (RoHS) 2011/65/EU, (REACH) 1907/2006. Textul integral al declarației de conformitate EU este disponibil la următoarea adresă de internet: **www.twinkly.com/certifications**

Cerințe de sistem	Specificații tehnice
Cerința minimă de sistem pentru telefoanele mobile este iOS 11 și Android 5. Verificați în magazinul de aplicații cea mai recentă actualizare pentru a vă asigura cea mai bună performanță.	Alimentare cu curent: vezi eticheta <p>Protecție IP: IP44</p>

Diode LED de calitate premium

Pentru a asigura o redare ridicată a culorilor, produsele Twinkly folosesc numai LED-uri de înaltă calitate.

Produsele Twinkly RGB si RGB+W sunt produse după principii si procese de calitate care ne permit să obținem un grad ridicat de puritate a culorilor primare.

Valorile minime de puritate de excitație ale componentelor Albastru, Verde și Roșu sunt prezentate în tabelul de mai jos.

Licențiere Bluetooth

Marca verbală și logo-urile Bluetooth® Bluetooth® sunt mărci înregistrate deținute de Bluetooth SIG, Inc. și orice utilizare a acestor mărci de către Ledworks SRL se face sub licență. Alte mărci comerciale și denumiri comerciale aparțin proprietarilor respectivi.

generira, koristi i može zračiti radiofrekvencijsku energiju i, ako nije instalirana i korištena u skladu s uputama, može uzrokovati štetne smetnje u radio komunikacijama. Međutim, ne postoji jamstvo da se smetnje neće pojaviti u određenoj instalaciji. Ako ova oprema uzrokuje štetne smetnje radijskom ili televizijskom prijemu, što se može utvrditi isključivanjem i uključivanjem opreme, korisnik se potiče da pokuša ispraviti smetnje jednom ili više sljedećih mjera:

Preusmjerite ili premjestite prijemnu antenu.

- Povećajte odvajanje između opreme i prijemnika.
- Spojite opremu u utičnicu na krugu različitom od onog na koji je spojen prijemnik.
- Za pomoć se obratite trgovcu ili iskusnom radijskom/televizijskom tehničaru.

⚠️ UPOZORENJE!

Ne spajajte svjetlosni niz na napajanje dok je u pakiranju. Spojni kabel ne može se popraviti ili zamijeniti. SVJETLIJKE NISU ZAMJENJIVE. Lanci rasvijete ne namjeravaju interkonekciju. Ne spajajte ovaj svjetlosni niz električno na uređaje drugog proizvođača. OPREZI! Opasnost od davljenja. Držite se izvan dohvata male djece.



Символът на зачеркнат контейнер с колекца показва, че изделието трябва да се изхвърля отделно от битовите отпадъци. Изделието трябва да се предаде за рециклиране в съответствие с местните екологични разпоредби за изхвърляне на отпадъци.

Производителят, Ledworks Srl, декларира, че това устройство съответства на директивите (LVD) 2014/35/EC, (RED) 2014/53/EC, (EMC) 2014/30/EC, (RoHS) 2011/65/EC, (REACH) 1907/2006. Пълният текст на ЕС декларацията за съответствие е достъпен на следния интернет адрес: **www.twinkly.com/certifications**

Системски предувjeti
Минимални изтвент на sustava за mobilne telefone su iOS 11 и Android 5
Проектиerte u трговни апликация најновије ажурирање како biste osigurali најbolje performanse.

Техничке спецификации
Напајанје: 5V USB-C Adapter: 15/20W IP

11 и Android 5
Проектиerte u трговни апликация најновије заштита: **IP20**

LED diode vrhunskog razreda

Kako bi se osiguralo visoko renderiranje boja, Twinkly proizvodi koriste samo visokokvalitetne LED diode. Twinklyjevi RGB i RGB+W proizvodi proizvode se prema principima kvalitete i procesima koji nam omogućuju postizanje visokog stupnja primarne čistoće boja. Minimalne vrijednosti čistoće pobude plave, zelene i crvene komponente prikazane su unutar donje tabele.

Bluetooth licenciranje

Oznaka riječi Bluetooth i® logotipi registrirani su zaštitni znakovi u vlasništvу Bluetooth SIG-a, Inc., а svаko korištenje takvih oznaka od strane Ledworks SRL-a je pod licencom. Ostali трговачки i трговачки nazivi su oni njihovih vlasnika.

Operativni RF za 802.11 b/g/n Wi-Fi / Bluetooth V4.2 BR/EDR/LE	Vrijednosti Čistoće boja
Frekvencija 2402/2480 Mhz	Plava > 90%
Maksimalan izlaz Snaga <100mW	Zelena > 65%
	Crveni > 95%

** Цј значенња диктут лише дја виробіе RGB (STP) i RGBW (SPP). До виробіе AWW (GOP) вонн не застосуютьсја.*

Ⓜ Διαβάστε και ακολουθήστε όλες τις οδηγίες ασφαλείας.

- ΔΙΑΒΑΣΤΕ ΚΑΙ ΑΚΟΛΟΥΘΗΣΤΕ ΌΛΕΣ ΤΙΣ ΟΔΗΓΙΕΣ ΑΣΦΑΛΕΙΑΣ.
- Μην τοποθετείτε ή τοποθετήσετε κοντά σε θερμάστρες αερίου ή ηλεκτρικές θερμάστρες, τρικά, κεριά ή άλλες πηγάριες πηγές θερμότητας.
- Το εξωτερικό ευκαμπο καλώδιο ή καλώδιο αυτού του φωτιστικού δεν μπορεί να αντικατασταθεί- αν το καλώδιο υποστεί ζημιά, το φωτιστικό πρέπει να καταστραφεί. Η

Funcționează cu RF pentru 802.11 b/g/n Wi-Fi / Bluetooth V4.2 BR/EDR/LE	Valori de puritate a culorii
Frecvență 2402/2480 Mhz	Albastru > 90%
Putere maximă de ieșire <100mW	Verde > 65%
	Roșu >95%

** Valorie se aplică numai produselor RGB (STP) și RGBW (SPP), nu și produselor AWW (GOP)*

Ⓜ Прочетете и спазвайте всички инструкции за безопасност

- ПРОЧЕТЕТЕ И СПАЗВАЙТЕ ВСИЧКИ ИНСТРУКЦИИ ЗА БЕЗОПАСНОСТ.
- Не монтирайте и не поставяйте в близост до газои или електрически нагреватели, камини, свещи или други подобни източници на топлина.
- Външният гъвкав кабел или шнур на това осветително тяло не може да се заменя; ако шнурът е повреден, осветителното тяло трябва да се унищожи. Светлинният източник на това осветително тяло не може да се заменя; когато светлинният източник достигне края на своя живот, цялото осветително тяло трябва да се замени.
- Това изделие не е подходящо за осветяване на помещения и е предназначено само за декорация.
- Не закрепвайте окабеляването на изделието с телчета или пирони, нито го поставяйте върху остри куки или пирони.
- Не позволявайте на лампите да почиват върху захранваща кабел или върху какавто и да е жица.
- Исключавайте продукта от електрическата мрежа, когато напускате къщата или се прибирате за през нощта, или ако е оставен без надзор.
- Това е електрически продукт - не е играчка! За да се избегне рискът от пожар, изгаряния, телесни наранявания и токов удар, не трябва да се играе с него или да се поставя на места, където малки деца могат да го достигнат.
- Не използвайте този продукт за други цели, различни от предназначението му.
- Не закачайте украшения или други предмети на кабела, жицата или светлинната нишка.
- Не покривайте продукта с кърпа, хартия или друг материал, който не е част от продукта, когато се използва.
- Не затваряйте врати или прозорци върху продукта или удължителите, тъй като това може да повреди изолацията на проводника.
- Прочетете и спазвайте всички инструкции, които са поставени на продукта или са предоставени с продукта.
- ЗАПАЗЕТЕ ТЕЗИ ИНСТРУКЦИИ.
- Не свързвайте веригата към захранването, докато е в опаковката.
- При счупване или повреда на лампите веригата не трябва да се използва/захранва, а да се изхвърли безопасно.
- Лампите не могат да се заменят.
- ПРЕДУПРЕЖДЕНИЕ - РИСК ОТ ЕЛЕКТРИЧЕСКИ УДАР ПРИ СЧУПЕНИ ИЛИ ЛИПСВАЩИ ЛАМПИ. НЕ ИЗПОЛЗВАЙТЕ.

Инструкции за употреба и грижи

- Когато продуктът се поставя върху живо дърво, дървото трябва да е добре поддържано и свежо. Не поставяйте продукта върху живи дървета, чийто иглички са кафяви или се чупят лесно. Поддържайте държача за живото дърво пълен с вода.
- Ако продуктът се поставя върху дърво, дървото трябва да е добре закрепено и стабилно.
- Преди да използвате или използвате повторно, внимателно прегледайте продукта. Изхвърлете всички продукти, които имат нарязана, повредена или накъсана изолация на проводниците или кабелите, пукнатини в държачите или корпусите на лампите, разхлабени връзки или открити медни проводници.
- Когато съхранявате продукта, внимателно го отстранете от мястото, където е поставен, включително дървета, клони или храсти, за да избегнете излишно натоварване или напрежение върху проводниците, връзките и жиците на продукта.
- Когато не използвате продукта, го съхранявайте грижливо на хладно и сухо място, защитено от слънчева светлина.

ПРЕДУПРЕЖДЕНИЕ - За да намалите риска от пожар и токов удар:

- Не монтирайте върху дървета, които имат иглички, листа или клони, покрити с метал или материали, които приличат на метал.
- Не монтирайте и не поддържайте проводниците по начин, който може да пререже или повреди изолацията на проводника.

Отказ от отговорност за клас А: Това оборудване е тествано и е установено, че отговаря на ограниченията за цифрово устройство от клас А, съгласно част 15 от правилата на FCC. Тези ограничения са предназначени да осигурят разумна защита срещу вредни смущения при жилищна инсталация. Това оборудване генерира, използва и може да излъчва радиочестотна енергия и, ако не е инсталирано и използвано в съответствие с инструкциите, може да причини вредни смущения на радиокомуникациите. Въпреки това не съществува гаранция, че при конкретна инсталация няма да възникнат смущения. Ако това оборудване причинява вредни смущения в радио- или телевизионното приемане, което може да се установи чрез изключване и включване на оборудването, на потребителя се препоръчва да се опита да коригира смущенията чрез една или повече от следните мерки:

Преориентирайте или преместете приемната антена.

- Увеличете разстоянието между оборудването и приемника.
- Свържете оборудването в контакт на верига, различна от тази, към която е свързан приемникът.
- Консултирайте се с дилъра или с опитен радио/телевизионен техник за помощ.

⚠️ ПРЕДУПРЕЖДЕНИЕ!

Не свързвайте светлинния низ към захранването, докато е в опаковката. Свързващият кабел не може да бъде ремонтиран или заменен. ЛАМПИТЕ НЕ МОГАТ ДА СЕ ЗАМЕНЯТ. Светлинните вериги не са предназначени за взаимно свързване. Не свързвайте тази светлинна верига електрически с устройства от друг производител. ВНИМАНИЕ! Опасност от задъшаване. Съхранявайте на място, недостъпно за малки деца.



Символът на зачеркнат контейнер с колекца показва, че изделието трябва да се изхвърля отделно от битовите отпадъци. Изделието трябва да се предаде за рециклиране в съответствие с местните екологични разпоредби за изхвърляне на отпадъци.

Производителят, Ledworks Srl, декларира, че това устройство съответства на директивите (LVD) 2014/35/EC, (RED) 2014/53/EC, (EMC) 2014/30/EC, (RoHS) 2011/65/EC, (REACH) 1907/2006. Пълният текст на ЕС декларацията за съответствие е достъпен на следния интернет адрес: **www.twinkly.com/certifications**

Изисквания към системата
Минималните системни изисквания за мобилни телефони са iOS 11 и Android 5
Проверете в магазина за приложения за най-новата актуализация, за да си осигурите най-добра производителност.

Висококачествени LED диоди

За да се гарантира високото цветопредаване, в продуктите на Twinkly се използват само висококачествени светодиоди. Продуктите RGB и RGB+W на Twinkly се произвеждат в съответствие с принципите и процесите за качество, които ни позволяват да постигнем висока степен на чистота на основния цвят. Минималните стойности на чистотата на възбуджана на синия, зеления и червения компонент са показани в таблицата по-долу.

Лицензиране на Bluetooth

Думата Bluetooth® и логата Bluetooth са регистрирани търговски марки, собственост на Bluetooth SIG, Inc., и всяко използване на тези марки от Ledworks SRL е по лиценз. Други търговски марки и търговски наименования са собственост на съответните им собственици.

Технически спецификации

Зархранване: 5V USB-C адаптер: 15/20W IP защита: IP20

Работни радиочестоти за 802.11 b/g/n Wi-Fi / Bluetooth V4.2 BR/EDR/LE	Стойности на чистотата на цветовете
Честота 2402/2480 Mhz	Синьо > 90%
Максимална мощност Мощност <100mW	Зелено > 65%
	Червено > 95%

** стойностите се отнасят само за продукти RGB (STP) и RGBW (SPP), а не за продукти*

Ⓜ Прочитайте и слийдете sve sigurnosne upute.

- Немоjte монтирати или поставјати у близини plinskih или електричних гријача, камина, свјеца или других сличних извора топлине.
- Vанjsки флексибилни кабел или кабел овог свјетилјке не може се замјенити; Ако је кабел оштећен, свјетилјка ће бити уништена. Извор свјетлости овог свјетилјке није замјенив; када извор свјетлости досегне свој крај живота, замјенију се cijelo svjetlo.
- Oвај чланак није прикладан за освјетљење просторије и намјенjen је само за декорацију.
- Не учврјстјате ожићење производа спajалицама или чавлима или ставјайте на оштре куке или чавле.
- Не допустите да свјетилјке почувају на доводном кабелу или на било којој жици.
- Искључите производ приликом изласка из куће или приликом одласка у мировину преко ноћи или ако се остави без надзора.
- Oво је електрични производ - а не играчка! Како би се избјегло ризик од пожара, опекина, тјеснихни озљедја и струјног удара, не смије се играти с њим или га смјестити тамо гдје мала дјеча могу доћи до њега.
- Не користите овој производ за другу употребу осим за његову намјену.
- Немојте вјешати украсе или друге предмете с кабела, жице или свјетлосне жице.
- Не прекривајте производ крпом, папиром или било којим материјалом који није дио производа када се користи.
- Не затварајте врати или прозоре на производу или продућним кабелима јер то може оштетити изолацију жице.
- Прочитајте и слиједите све упуте које се налазе на производу или су испоручене с производом.
- SPРЕМИТЕ ОВЕ УПУТЕ.
- Не спајајте ланас на опскрбу док је у пакiranju.
- Ако дође до лoма или оштећења свјетла, ланас се не смије користити/под напоном, већ га сигурно одлагати.
- Светилјке нису замјениве.
- UPOZORENJE - OPASNOST OD STRUJNOG UDARA AKO SU SVJETLIJKE SLOMJENE ILI NEDOSTAJU. NEMOЈTE KORISTITI.

Упуте за употребу и његу

- kада се производ стави на живо дрво, стабло треба добро одржавати и свјежје. Не ставјајте на жива стабла у којима су иглице смеђе или се лако одломите. Држите живи дрчаč стабла напунjen водом.
- Ако се производ стави на дрво, стабло треба бити добро осигурано и стабилно.
- Прије употребе или поновне употребе пажљиво прегледајте производ. Одбаците све производе који имају ирезану, оштећену или излизовану изолацију жице или кабеле, пукотине у дрчаčима или кућицима свјетилјке, labаве спојеве или изложену бакрену жицу.
- Приликом складиштења производа пажљиво уклоните производ с мјеста на којем се налази, укључујучи дрвече, гране или грмљике, како бисте избјегли непотребно напрезање или стрес на водичима производа, спојевима и жicama.
- Када се не користи, уредно чувајте на хладном и сухом мјесту заштитеном од сунчеве свјетлости.

UPOZORENJE - Како би се smanjio ризик од пожара и струјног удара:

- Не поставјајте на дрвече које има игле, лиšће или гранске облоге од метала или материјала који изгledају како метал.
- Немојте монтирати или подржавајте жице на начин који може резати или оштетити изолацију жице.

Odricanje od odgovornosti klase A: Ova je oprema testirana i utvrđeno je да је у складу s ograničenjima за digitalni uređaj klase A, u skladu с dijelom 15 FCC pravila. Ta су ograničenja osmišljena како би pružila разумnu заштиту о štetnih smetnji у stambenoј instalaciji. Ova oprema

- Ekipmanı, alıcının bağlı olduğu devreden farklı bir devre üzerindeki bir prize bağlayın.
- Yardıım için satıcıya veya deneyimli bir radyo/televizyon teknisyenine danışın.

Uyumluluk Feragatnamesi

Kablosuz performans cihazınızın Bluetooth/WiFi kablosuz teknolojisine bağlıdır, lütfen cihazınızın üreticisine başvurun. Ledworks SRL, bu cihazların kullanımından kaynaklanan herhangi bir veri kaybı veya sızıntısından sorumlu olmayacaktır. Yardım için bayiye veya deneyimli bir radyo/televizyon teknisyenine danışın.

⚠️ UYARI!

Işık dizisini ambalaj içindeyken güç kaynağına bağlamayın. Bağlantı kablosu onarılamaz veya değiştirilemez. LAMBALAR DEĞİŞTİRİLEMEZ. Aydınlatma zincirleri ara bağlantı için tasarlanmamıştır. Bu ışık dizisini başka bir üreticinin cihazlarına elektrikli olarak bağlamayın. DİKKAT! Boğulma tehlikesi. Küçük çocukların ulaşamayacağı yerlerde saklayın.

⚠️

⚠️ Çarpı işaretli tekerlikli çöp kutusu sembolü, ürünün evsel atıklardan ayrı olarak atılması gerektiğini gösterir. Ürün, atık bertarafı için yerel çevre düzenlemelerine uygun olarak geri dönüşüm için teslim edilmelidir.

Üretici Ledworks Srl, bu cihazın (LVD) 2014/35/EU, (RED) 2014/53/EU, (EMC) 2014/30/EU, (RoHS) 2011/65/EU, (REACH) 1907/2006 direktiflerine uygun olduğunu beyan eder. AB uygunluk beyanının tam metnine aşağıdaki internet adresinden ulaşılabilir: **www.twinkly.com/certifications**

Sistem Gereksinimi	Teknik Özellikler
Cep telefonları için minimum sistem gereksinimi iOS Güç kaynağı: 5V USB-C Adaptör: 11 ve Android 5'tir En iyi performansı sağlamak için en son güncelleme için uygulama mağazasını kontrol edin.	5V USB-C Adaptör: 15/20W IP koruması: IP20

Birinci sınıf LED diyotlar

Yüksek renksel geriverim sağlamak için Twinkly ürünleri yalnızca yüksek kaliteli LED'ler kullanır. Twinkly'nin RGB ve RGB+W ürünleri, yüksek derecede birincil renk safliği elde etmemizi sağlayan kalite ikelelerine ve süreçlerine göre üretilmektedir. Mavi, Yeşil ve Kırmızı bileşenlerin minimum uyarma saflık değerleri aşağıdaki tabloda gösterilmiştir.

Bluetooth Lisanslama

Bluetooth Bluetooth® kelime işareti ve logoları Bluetooth SIG, Inc. şirketine ait tescilli ticari markalardır ve bu markaların Ledworks SRL tarafından her türlü kullanım için lisans kapsamındadır. Diğer ticari markalar ve ticari adlar ilgili sahiplerine aittir.

802.11 b/g/n Wi-Fi / Bluetooth V4.2 BR/EDR/LE için Çalısma RF'si Frekans 2402/2480 Mhz Maksimum güç çıkış <100mW	Renk Saflığı değerleri Mavi > %90 Yeşil > %65 Kırmızı > %95
---	---

** değerler yalnızca RGB (STP) ve RGBW (SPP) ürünleri için geçerlidir, AWW (GOP) ürünleri için geçerli değildir*

🇵🇱 Prosimy zapoznać się z treścią i przestrzegać wszystkich zasad bezpiecznstwa.

- PROSIMY ZAPOZNAĆ SIĘ Z TREŚCIĄ I PRZESTRZEGAĆ WSZYSTKICH ZASAD BEZPIECZEŃSTWA.
- Nie używać produktów sezonowych na zewnątrz, chyba że są oznaczone jako odpowiednie do takich zastosowań; należy je wtedy podłączyć do gniazda GFCI (przerywacz obwodu zwar-

🇵🇱 Tüm güvenlik talimatlarını okuyun ve uygulayın.

- TÜM GÜVENLİK TALİMATLARINI OKUYUN VE UYGULAYIN.
- Gazlı veya elektrikli istisicıların, şöminelerin, mumlarnın veya diğer benzer ısı kaynaklarının yakınına monte etmeyin veya yerleştirmeyin.
- Bu armatürün harici esnek kablosu veya kordonu değiştirilemez; kordon hasar görürse armatür imha edilmelidir. Bu armatürün ışık kaynağı değiştirilemez; ışık kaynağı ömrünü tamamladığında yeni armatür değiştirilmelidir.
- Bu ürün oda aydınlatması için uygun değildir ve sadece dekorasyon amaçlıdır.
- Ürünün kablolarını zımba veya çivi ile sabitlemeyin veya keskin kancalar veya çiviler üzerine yerleştirmeyin.
- Lambaların besleme kablosu veya herhangi bir tel üzerinde durmasına izin vermeyin.
- Evden çıkarken veya gece yataktan ya da gozetimsiz bıraktıldığında ürünü fişini çekin.
- Bu elektrikli bir üründür - oyuncak değil! Yangın, yanık, kişisel yaralanma ve elektrik çarpması riskinden kaçınmak için küçük çocukların ulaşabileceği yerlere yerleştirilmemeli veya oynanmamalıdır.
- Bu ürünü kullanın amacı dışında kullanmayın.
- Kordondan, telden veya ışık ipinden süs eşyaları veya başka nesnelere asmayın.
- Kullanım sırasında ürünü bez, kağıt veya ürünü parçası olmayan herhangi bir malzeme ile örtmeyin.
- Kablo yalıtımına zarar verebileceğinden, ürününü veya uzatma kablolarının üzerindeki kapları veya pencereleri kapatmayın.
- Ürünün üzerinde bulunan veya ürünel birlikte verilen tüm talimatları okuyun ve bunlara uyun.
- BU TALİMATLARI SAKLAYIN.
- Zinciri ambalaj içindeyken beslemeye bağlamayın.
- Lambaların kırılması veya hasar görmesi durumunda zincir kullanılmamal/enerjilenmemeli, güvenli bir şekilde atılmalıdır.
- Lambalar değiştirilemez.
- UYARI - LAMBALAR KIRIK VEYA EKSIK İSE ELEKTRİK ÇARPMASI RISKİ. KULLANMAYIN.

Kullanım ve bakım talimatları

- Ürün canlı bir ağaca yerleştirildiğinde, ağaç bakımlı ve taze olmalıdır. İğneleri kahverengi olan veya kolayca kırılan canlı ağaçlara yerleştirmeyin. Canlı ağaç tutucusunu su ile dolu tutun.
- Ürün bir ağacın üzerine yerleştirilirse, ağaç iyi sabitlenmiş ve sağlam olmalıdır.
- Kullanmadan veya yeniden kullanmadan önce ürünü dikkatlice inceleyin. Kesilmiş, hasar görmüş veya yıpranmış tel yalıtımı veya kablolar, lamba tutucularında veya muhafazalarında çatlaklar, gevşek bağlantılar veya açıkta bakır tel bulunan ürünleri atın.
- Ürünü depoların, ürün iletkenleri, bağlantıları ve telleri üzerinde aşırı gerilme veya baskı olmasınını önlemek için ürünü ağaçlar, dallar veya çalılar dahil olmak üzere yerleştirildiği her yerden dikkatlice çıkarın.
- Kullanılmadığında, güneş ışığından korunan serin ve kuru bir yerde düzgün bir şekilde saklayın.

UYARI - Yangın ve elektrik çarpması riskini azaltmak için:

- İğneleri, yaprakları veya dalları metal veya metale benzeyen malzemelerle kaplanmış ağaçlara kurulum yapmayın.
- Kabloların, kablo yalıtımını kesebilecek veya zarar verebilecek şekilde monte etmeyin veya desteklemeyin.

A Sınıfı Sorumluluk Reddi: Bu ekipman test edilmiş ve FCC Kuralları Bölüm 15 uyarınca A Sınıfı dijital cihaz sınırlarına uygun olduğu tespit edilmiştir. Bu sınırlar, bir konut kurulumunda zararlı parazitlere karşı makul koruma sağlamak üzere tasarlanmıştır. Bu ekipman radyo frekansı enerjisi üretir, kullanır ve yayabilir ve talimatlara uygun olarak kurulmaz ve kullanılmazsa, radyo iletişiminde zararlı parazitlere neden olabilir. Ancak, belirli bir kurulumda parazit oluşmayacağının garantisi yoktur. Eğer bu ekipman radyo veya televizyon yayınlarında zararlı parazitlere neden oluyorsa (ki bu durum ekipmanın kapatılı açılmasıyla tespit edilebilir), kullanıcının aşağıdaki önlemlerden birini veya birkaçını alarak paraziti gidermeye çalışması tavsiye edilir: Alıcı antenin yönünü veya yerini değiştirin.

- Ekipman ve alıcı arasındaki mesafeyi artırın.

rádiókommunikációt. Azonban nem garantálható, hogy egy konkrét telepítés során nem lép fel zavar. Ha a berendezés káros interferenciát okoz a rádió- vagy televízióvetelben, ami a berendezés kár- és bekarcsolásával állapítható meg, azt tanácsoljuk, hogy próbálja meg kiküszöbölni az interferenciát az alábbi intézkedések valamelyikével vagy azok kombinációjával:

- Irányítsa más felé, vagy helyezze át a vendóantennát.
- Novéleje a távolságot a berendezés és a vendó között.
- Csatlakoztassa a berendezést a vendó áramkörötől különböző áramkörön lévő aljzathoz.
- Kérjen segítséget a kereskedőtől vagy egy tapasztalt rádió-/televízió-technikustól.

Αποποίηση ευθύνης συμβατότητας

Η ασύρματη απόδοση εξαρτάται από την ασύρματη τεχνολογία Bluetooth/WiFi της συσκευής σας, ανατρέξτε στον κατασκευαστή της συσκευής σας. Η Ledworks SRL δεν φέρει καμία ευθύνη για τυχόν απώλεια δεδομένων ή διαρροές που προκύπτουν από τη χρήση αυτών των συσκευών. συμβουλευτείτε τον αντιπρόσωπο ή έναν έμπειρο τεχνικό ραδιοφώνου/τηλεόρασης για βοήθεια.

⚠️ ΠΡΟΕΙΔΟΠΟΙΗΣΗ!

Μην συνδέετε τη σειρά φωτός στην παροχή ρεύματος όσο βρίσκεται στη συσκευασία. Το καλώδιο σύνδεσης δεν μπορεί να επισκευαστεί ή να αντικατασταθεί. ΟΙ ΛΑΜΠΤΗΡΕΣ ΔΕΝ ΜΠΟΡΟΥΝ ΝΑ ΑΝΤΙΚΑΤΑΣΤΑΘΟΥΝ. Οι φωτιστικές αλυσίδες δεν προορίζονται για διασύνδεση. Μην συνδέετε αυτή τη φωτισεορά ηλεκτρικά με συσκευές άλλου κατασκευαστή. ΠΡΟΣΟΧΗ! Κίνδυνος στραγγαλισμού. Φυλάξτε την μακριά από μικρά παιδιά.

⚠️

⚠️ Το σύμβολο του διαγραμμένου τροχήλατου κάδου υποδεικνύει ότι το αντικείμενο πρέπει να απορρίπτεται χωριστά από τα οικιακά απορρίμματα. Το αντικείμενο θα πρέπει να παραδίδεται για ανακυκλώση σύμφωνα με τους τοπικούς περιβαλλοντικούς κανονισμούς για τη διάθεση των αποβλήτων.

Ο κατασκευαστής, Ledworks Srl, δηλώνει ότι η παρούσα συσκευή συμμορφώνεται με τις οδηγίες (LVD) 2014/35/EE, (RED) 2014/53/EE, (EMC) 2014/30/EE, (RoHS) 2011/65/EE, (REACH) 1907/2006. Το πλήρες κείμενο της δήλωσης συμμόρφωσης EE είναι διαθέσιμο στην ακόλουθη διεύθυνση στο διαδίκτυο: **www.twinkly.com/certifications**

Απαιτήσεις συστήματος

Οι ελάχιστες απαιτήσεις συστήματος για κινητά τηλέφωνα είναι iOS 11 και Android 5. Ελέγξτε το κατάστημα εφαρμογών για την τελευταία ενημέρωση για να εξασφαλίσετε την καλύτερη δυνατή απόδοση.

Τεχνικές προδιαγραφές Παροχή ρεύματος:

15/20W Προστασία IP: 5V USB-C Προσαρμογές: 15/20W Προστασία IP: **IP20**

Δίοδοι LED υψηλής ποιότητας

Για να εξασφαλίσει υψηλή χρωματική απόδοση, τα προϊόντα Twinkly χρησιμοποιούν μόνο LED υψηλής ποιότητας.

Τα προϊόντα RGB και RGB+W της Twinkly παράγουν σύμφωνα με αρχές και διαδικασίες ποιότητας που μας επιτρέπουν να επιτύχουμε υψηλό βαθμό πρωτογενούς χρωματικής καθαρότητας. Οι ελάχιστες τιμές καθαρότητας διέγερσης του μπλε, του πράσινου και του κόκκινου στοιχείου εμφανίζονται στον παρακάτω πίνακα.

Αδειοδότηση Bluetooth

Το λεκτικό σήμα Bluetooth Bluetooth® και τα λογότυπα είναι κατατεθειμένα εμπορικά σήματα που ανήκουν στην Bluetooth SIG, Inc. και οποιαδήποτε χρήση αυτών των σημάτων από την Ledworks SRL γίνεται με άδεια χρήσης. Άλλα εμπορικά σήματα και εμπορικές ονομασίες είναι των αντίστοιχων κατόχων τους.

Λειτουργία RF για 802.11 b/g/n Wi-Fi / Bluetooth V4.2 BR/EDR/LE Συχνότητα 2402/2480 Mhz Μέγιστη παραγωγή ισχύος <100mW	Τιμές καθαρότητας χρώματος Μπλε > 90% Πράσινο > 65% Κόκκινο > 95%
---	---

** Οι τιμές ισχύουν μόνο για τα προϊόντα RGB (STP) και RGBW (SPP), όχι για τα προϊόντα AWW (GOP).*

φωτεινή πηγή αυτού του φωτιστικού δεν μπορεί να αντικατασταθεί- όταν η φωτεινή πηγή φτάσει στο τέλος της ζωής της, πρέπει να αντικατασταθεί ολόκληρο το φωτιστικό.

- Αυτό το είδος δεν είναι κατάλληλο για φωτισμό δωματίου και προορίζεται μόνο για διακοσμητικούς σκοπούς.
- Μην στερεώνετε την καλωδίωση του προϊόντος με συρραπτικά ή καρφιά και μην την τοποθετείτε σε αιχμηρά άκαστρα ή καρφιά.
- Μην αφήνεται τους λαμπτήρες να ακουμπούν στο καλώδιο τροφοδοσίας ή σε οποιαδήποτε καλώδιο.
- Αποσυνδέστε το προϊόν από την πρίζα όταν φεύγετε από το σπίτι ή όταν αποσύρεστε για τη νύχτα ή αν το αφήνετε χωρίς επίβλεψη.
- Αυτό είναι ένα ηλεκτρικό προϊόν - όχι ένα παιχνίδι! Για να αποφευχθεί ο κίνδυνος πυρκαγιάς, εγκαυμάτων, τραυματισμών και ηλεκτροπληξίας, δεν πρέπει να παίζετε με αυτό και να το τοποθετείτε σε σημεία όπου μπορούν να το φτάσουν μικρά παιδιά.
- Μην χρησιμοποιείτε αυτό το προϊόν για άλλη χρήση από την προβλεπόμενη.
- Μην κρατάτε στολίδια ή άλλα αντικείμενα από το καλώδιο, το σύρμα ή το φωτιστικό κορδόνι.
- Μην καλύπτετε το προϊόν με ύφασμα, χαρτί ή οποιαδήποτε υλικό που δεν αποτελεί μέρος του προϊόντος, όταν αυτό χρησιμοποιείται.
- Μην κλείνετε τις πόρτες ή τα παράθυρα πάνω στο προϊόν ή στα καλώδια προέκτασης, καθώς αυτό μπορεί να προκαλέσει ζημιά στη μόνωση του καλωδίου.
- Διαβάστε και ακολουθήστε όλες τις οδηγίες που υπάρχουν στο προϊόν ή παρέχονται με το προϊόν.
- ΦΥΛΑΞΤΕ ΑΥΤΕΣ ΤΙΣ ΟΔΗΓΙΕΣ.
- Μην συνδέετε την αλυσίδα στην παροχή ή όσο βρίσκεται στη συσκευασία.
- Σε περίπτωση θραύσης ή βλάβης των λαμπτήρων ή αλυσίδα δεν πρέπει να χρησιμοποιείται/ ενεργοποιείται αλλά να απορρίπτεται με ασφάλεια.
- Οι λαμπτήρες δεν μπορούν να αντικατασταθούν.
- ΠΡΟΕΙΔΟΠΟΙΗΣΗ - ΚΙΝΔΥΝΟΣ ΗΛΕΚΤΡΟΠΛΗΞΙΑΣ ΕΑΝ ΟΙ ΛΑΜΠΗΤΗΡΕΣ ΕΙΝΑΙ ΣΠΑΣΜΕΝΟΙ Ή ΛΕΙΠΟΥΝ. ΜΗ ΧΡΗΣΙΜΟΠΟΙΗΣΤΕ.

Οδηγίες χρήσης και φροντίδας

- Όταν το προϊόν τοποθετείται σε ζωντανό δέντρο, το δέντρο πρέπει να είναι καλά συντηρημένο και φρέσκο. Μην τοποθετείτε σε ζωντανά δέντρα στα οποία οι βελόνες είναι καφέ ή σπάνε εύκολα. Διατηρείτε τη θήκη του ζωντανού δέντρου γεμάτη με νερό.
- Όταν το προϊόν τοποθετείται σε δέντρο, το δέντρο πρέπει να είναι καλά ασφαλισμένο και σταθερό.
- Πριν από τη χρήση ή την επαναχρησιμοποίηση, επιθεωρήστε προσεκτικά το προϊόν. Απορρίψτε τυχόν προϊόντα που έχουν κομμένη, κατεστραμμένη ή φθαρμένη μόνωση καλωδίων ή καλωδίων, ρωμιές στις υποδοχές ή τα περιβλήματα των λαμπτήρων, χαλαρές συνδέσεις ή εκτεθειμένο χάλκινο καλώδιο.
- Κατά την αποθήκευση του προϊόντος, απομακρύνετε προσεκτικά το προϊόν από όπου κι αν έχει τοποθετηθεί, συμπεριλαμβανομένων δέντρων, κλαδιών ή θάμνων, για να αποφύγετε οποιαδήποτε αδικοαλόγητη καταπόνηση ή πίεση στους αγωγούς, τις συνδέσεις και τα καλώδια του προϊόντος.
- Όταν δεν χρησιμοποιείτε το προϊόν, αποθηκεύτε το τακτοποιημένο σε δροσερό και ξηρό μέρος, προστατευμένο από το ηλιακό φως.

ΠΡΟΕΙΔΟΠΟΙΗΣΗ - Για να μειώσετε τον κίνδυνο πυρκαγιάς και ηλεκτροπληξίας:

- Μην εγκαταστήσετε το σύστημά σε δέντρα που έχουν βελόνες, φύλλα ή καλύμματα κλαδιών από μέταλλο ή υλικά που μοιάζουν με μέταλλο.
- Μην τοποθετείτε ή στηρίζετε τα καλώδια με τρόπο που μπορεί να κόψει ή να καταστρέψει τη μόνωση του καλωδίου.

Α οστζλύβι felelősség kizárása: A berendezést tesztelték, és megállapították, hogy megfelel az A osztályú digitális eszközökre vonatkozó határértékeknek az FCC-szabályok 15. része szerint. Ezeket a határértékeket úgy határozták meg, hogy lakossági telepítés esetén ésszerű védelmet nyújtssanak a káros interferenciák ellen. A berendezés rádiófrekvenciás energiát állít elő, használń és sugározhat ki, és ha nem az utasításoknak megfelelően telepítik és használják, zavarhatja a

RU
Прочитайте и соблюдайте все инструкции по технике безопасности.

- ПРОЧИТАЙТЕ И СОБЛЮДАЙТЕ ВСЕ ИНСТРУКЦИИ ПО ТЕХНИКЕ БЕЗОПАСНОСТИ.**
- Внешний гибкий кабель или шнур данного светильника не подлежит замене; если шнур поврежден, светильник подлежит уничтожению. Источник света этого светильника не подлежит замене; когда срок службы источника света истекает, весь светильник подлежит замене.
- Эта статья не подходит для освещения помещения и предназначена только для украшения.
- Не устанавливайте и не размещайте изделие вблизи газовых или электрических обогревателей, каминов, свечей или других подобных источников тепла.
- Не закрепляйте проводку изделия скобами или гвоздями и не размещайте изделие на острых крючках или гвоздях.
- Лампы изделия не должны касаться шнура питания или любого другого провода. Выключайте изделие из розетки, когда выходите из дома, ложитесь спать на ночь или если его оставили без присмотра.
- Внимайте вилку из розетки, когда выходите из дома, ложитесь спать или оставляете изделие без присмотра.
- Это электрическое изделие, а не игрушка! Во избежание риска возгорания, ожогов, травм и поражения электрическим током не следует играть с изделием или размещать в месте, где к нему могут получить доступ маленькие дети.
- Не используйте данное изделие не по назначению.
- Не вешайте украшения или другие предметы на шнур, провод или гирлянду.
- Не накрывайте включенное изделие тканью, бумагой или любым материалом, не являющимся частью изделия.
- Не закрывайте двери или окна на протяннутом через них изделии или удлинителе, так как это может повредить изоляцию проводов.
- Прочтите и выполните все инструкции, которые указаны на изделии или прилагаются к нему.
- СОХРАНИТЕ ЭТИ ИНСТРУКЦИИ.
- Не подключайте гирлянду к источнику питания, пока она находится в упаковке.
- В случае поломки или повреждения ламп гирлянды не должна использоваться/включаться, а должна быть безопасно утилизирована.
- Лампы не подлежат замене.
- ПРЕДУПРЕЖДЕНИЕ: РИСК ПОРАЖЕНИЯ ЭЛЕКТРИЧЕСКИМ ТОКОМ В СЛУЧАЕ, ЕСЛИ ЛАМПЫ СЛОМАНЫ ИЛИ ОТСУТСТВУЮТ. ЗАПРЕЩАЕТСЯ ИСПОЛЬЗОВАТЬ.**

Инструкции по использованию и уходу

- При размещении изделия на живом дереве, обращайтесь внимание на состояние дерева: оно должно быть ухоженным и свежим. Не размещайте изделие на живых деревьях с коричневой или легко обламывающейся хвоей. Держите подставку для живого дерева наполненной водой.
- При размещении изделия на живом дереве проследите, чтобы дерево было хорошо закреплено и находилось в устойчивом положении.
- Перед использованием или повторным использованием внимательно осмотрите изделие. Выбросьте все изделия, у которых порезана, повреждена или изношена изоляция проводов или шнуров, трещины в держателях или корпусах ламп, ослабленные соединения или оголенный медный провод.
- При складывании изделия на хранение осторожно извлекайте его из места размещения, включая деревья, ветви или кусты, чтобы избежать чрезмерного натяжения или деформации проводников, соединений и проводки изделия.
- Храните неиспользуемые изделия аккуратно сложенными в прохладном, сухом месте, защищенном от солнечного света.

электрическим током:

- а. Не устанавливайте на деревьях, имеющих хвою, листья или ветви, покрытые металлом или материалами, которые выглядят как металл.
- б. Не монтируйте и не поддерживайте провода таким образом, чтобы это могло привести к перерезанию или повреждению их изоляции.

Clause de non-responsabilité de classe A: cet appareil a été testé et déclaré conforme aux limites imposées aux appareils numériques de classe A, conformément à la section 15 des normes FCC. Ces limites sont conçues pour fournir une protection raisonnable contre les interférences nuisibles dans une installation résidentielle. Cet appareil génère, utilise et peut émettre de l'énergie de fréquence radio et, s'il n'est pas installé et utilisé conformément aux instructions, il peut causer des interférences nuisibles aux communications radio. Cependant, rien ne garantit que des interférences ne se produiront pas dans une installation particulière. Si cet appareil provoque des interférences nuisibles avec la réception de radio ou de télévision, qui peuvent se vérifier en éteignant et en rallumant l'appareil, l'utilisateur est invité à tenter de corriger l'interférence en appliquant l'une ou plusieurs des mesures suivantes:

- Réorientez ou déplacez l'antenne de réception.
- Augmentez la distance entre l'appareil et le récepteur.
- Branchez l'appareil sur une prise d'un circuit différent de celui auquel le récepteur est connecté.
- Consultez le revendeur ou un technicien expérimenté en radio/télévision pour obtenir de l'aide.

Заявление о совместимости

Производительность беспроводной связи зависит от беспроводной технологии Bluetooth/ WiFi вашего устройства, пожалуйста, обратитесь к производителю вашего устройства. Ledworks SRL не несет ответственности за любые потери данных или утечки, возникшие в результате использования этих устройств.

⚠️ ПРЕДУПРЕЖДЕНИЕ!

Не подключайте гирлянду к источнику питания, пока она находится в упаковке. Соединительный кабель не подлежит ремонту или замене. НЕЗАМЕНЯЕМЫЕ ЛАМПЫ. Не подключайте эту гирлянду к устройствам другого производителя. **ОСТОРОЖНО!** Опасность удущения. Хранить в недоступном для маленьких детей месте.



Знак перечеркнутого бака на колесах указывает на то, что данный предмет следует утилизировать отдельно от бытовых отходов. Изделие следует сдавать на переработку в соответствии с местными экологическими нормами утилизации отходов
Производитель, Ledworks Srl, заявляет, что это устройство соответствует директивам (LVD) 2014/35/EU, (RED) 2014/53/EU, (EMC) 2014/30/EU, (RoHS) 2011/65/EU, (REACH) 1907/2006. Полный текст декларации соответствия ЕС доступен по следующему адресу в Интернете: **www.twinkly.com/certifications**

Системные требования

Минимальные системные требования для мобильных телефонов — iOS 11 и Android 5.
Проверьте магазин приложений на наличие последних обновлений, чтобы обеспечить максимальную производительность.

Светодиоды премиум-класса

Для обеспечения интенсивной цветопередачи в продуктах Twinkly используются только высококачественные светодиоды.
Продукты Twinkly RGB и RGB+W производятся в соответствии с принципами и процессами обеспечения качества, которые позволяют нам получать высокую степень чистоты основных цветов.
Минимальные значения условной чистоты цвета для синего, зеленого и красного компонентов приведены в таблице ниже.

Лицензирование Bluetooth

Словесный знак Bluetooth Bluetooth® и логотипы являются зарегистрированными торговыми марками, принадлежащими Bluetooth SIG, Inc. и любое использование этих знаков компании Ledworks SRL осуществляется по лицензии. Другие торговые марки и торговые названия принадлежат их соответствующим владельцам.

RF de fonct. pour le 802.11 b/g/n Wi-Fi / Bluetooth V4.2 BR/EDR/LE	Valeurs de pureté des couleurs
Bluetooth	Blue > 90%
Fréquence	Vert > 65%
Puissance de sortie maximale <100mW	Rouge > 95%

** Les valeurs s'appliquent uniquement aux produits RGB (STP) et RGBW (SPP), mais pas aux produits AWW (GOP)*

JA
すべての安全に関する指示を読み、それに従ってください

- すべての安全に関する指示を読み、それに従ってください。
- ガスや電気のヒーター、暖炉、ろくそう、その他同様の熱源の近くに取り付けたり、置いたりしないでください。
- この照明器具が外部フレキシブルケーブルまたはコードは交換できません。コードが破損した場合、この照明器具を廃棄しなければなりません。この照明器具の光源は交換できません。光源が寿命に達したら、照明器具全体を交換しなければなりません。
- 本製品は室内照明には適しておらず、あくまで装飾品である。
- 本製品の配線をホッチキスや釘で固定したり、鋭利なフックや釘の上に置いたりしないでください。
- ランプを電源コードや電線の上に置かないでください。
- 外出時や就寝時など、人がいないときはプラグを抜いてください。
- 本製品は電気製品であり、おもちゃではありません。火災、やけど、けが、感電の危険を避けるため、遊んだり、小さな子供の手の届くところに置かないこと。
- 本製品を本来の用途以外に使用しないでください。
- コードや針金、ヒモに装飾品などをぶら下げないでください。
- 使用中は、布や紙など製品以外のものでも覆わないでください。
- 製品または延長コードにドアや窓を閉めないでください。
- 製品に記載されている、または製品に付属しているすべての説明書を読み、それに従ってください。
- これらの指示は保存してください。
- 梱包された状態で、チェーンを電源に接続しないでください。
- ランプの破損や損傷が発生した場合、チェーンは使用 / 通電 せず、安全に廃棄してください。
- ランプは交換できません。
- 警告：ランプが破損または紛失している場合、感電の危険がありま す。使用しないでください。

使用方法とお手入れ方法

- 生きている樹木に本製品を置く場合は、樹木の状態に注意してください。針が茶色い、または折れやすい生木に本製品を置かないでください。生木の台には水を張っておく。
- 本製品を生きた樹木に設置する場合は、樹木がしっかりと固定され、安定した位置にあることを確認してください。
- 使用または再利用する前に、製品をよく点検してください。電線やコードの被覆が切れたり、損傷したり、擦り切れたりした製品、ランプホルダーやハウジングに亀裂がある製品、接続が緩い製品、銅線が露出している製品はすべて廃棄してください。
- 製品を保管する場合は、製品の導体や接続部、配線に過度の負担や変形がかからないように、木や枝、茂みなど、設置場所から慎重に取り外してください。
- 未使用の製品を大切に保管するこのような場合、日光を避け、乾燥した涼しい場所に保管してください。

電流による

- 針葉樹や枝に金属や金属に似た素材が付着している樹木には設置しないでください。
- 電線を切断したり、絶縁体を損傷するような方法で、電線を取り付けたり、支持したりしないこと。

Class A 免責事項：この装置は、FCC規則のパート15に従って、Class Aデジタルデバイスの制限に準拠することが試験により確認されています。これらの制限は、住宅用設備において有害な干渉から妥当に保護するように設計されています。この装置は、無線周波エネルギーを発生、使用、放射することがあり、指示に従わずに設置、使用した場合、無線通信に有害な干渉を引き起こす可能性があります。ただし、特定の設置場所において干渉が発生しないことを保証するものではありません。本装置がラジオやテレビの変調に有害な干渉を引き起こす場合（装置の電源を切りた入り入れたらすぐにで判断できる）、ユーザーは以下の手段の1つ以上によって干渉を修正するよう試みることが推奨されます。

- 受信アンテナの向きや位置を変更する。
- 機器と受信機の離隔距離を大きくする。
- 受信機が接続されている回路とは別の回路のコンセントに機器を接続してください。
- 販売店、または経験豊富なラジオやテレビの技術者にご相談ください。

互換性についての免責事項

ワイヤレス性能は、お使いの機器のBluetooth/WiFiワイヤレス技術に依存しますので、お使いの機器のメーカーにお問い合わせください。Ledworks SRLは、これらのデバイスの使用に起因するデータの損失や漏えいについて、一切責任を負いません。



警告!
デジージェーンを梱包したまま電源に接続しないでください。接続ケーブルの修理・交換はできません。電球の交換はできません。このデジージェーンは弊社製の機器と接続しないでください。警告! 窒息の危険性がある。小さなお子様の手の届かないところに保管してください。



このマークは、家庭ごとと区別して処理されることを示します。本製品は、廃棄物処理に関する地域の環境規制に従って廃棄する必要があります。



製造元である Ledworks Srl は、このデバイスが指令 (LVD) 2014/35/EU、(RED) 2014/53/EU、(EMC) 2014/30/EU、(RoHS) 2011/65/EU、(REACH) 1907/2006 に適合することを宣言しています。EU 適合宣言の全文は、次のインターネットアドレスでご覧いただけます： www.twinkly.com/certifications

システム要件

携帯電話の最低システム要件は、iOS 11とAndroid 5で 電源：5V
USB-Cアダプター：15/20W
IP保護等級：IP20

プレミアムLED

Twinkly製品には、高品質のLEDのみが使用され、鮮明な演色性を確保しています。Twinkly RGBおよびRGB+Wの製品は、原色の高い純度を実現するための品質保証の原則とプロセスに従って製造されています。
青、緑、赤の各成分の条件付き色純度の最小値を下表に示す。Bluetooth® のワードマークおよびロゴは、Bluetoothが所有する登録商標です。

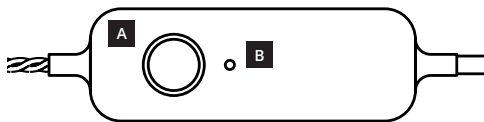
Bluetooth ライセンス

Bluetooth® のワードマークおよびロゴは、Bluetooth SIG, Inc.が所有する登録商標であり、Ledworks SRLによるこれらのマークの使用は、ライセンスに基づくものです。その他の商標および番号は、それぞれの所有者のものです。

802.11 b/g/n Wi-Fi / Bluetooth V4.2 BR/EDR/LE 対応周波	色純度値
数範囲	ブルー > 90
周波数2402/2480Mhz	グリーン > 65
最大出力(パワー) <100mW	赤 > 95

** RGB (STP)、RGBW (SPP) 製品にのみ適用される値であり、RGBW製品には適用されません。AWW (GOP) 製品です。*

controller



CONTROLLER / CONTROLLER / TÉLÉCOMMANDE / REGLER / MANDO / CONTROLADOR / CONTROLADOR / CONTROLLER / SAÄDIN / KONTROLENHED / STYRENHET / KONTROLLER / STJÖRNTRÄK / KRMLINIK / OVLADAČ / OVLADAČ / VEZÉRLŐ / KONTROLLER / КОНТРОЛЕР / KONTROLOR / ΕΛΕΓΚΤΗΣ / KONTROLÖR / KONTROLLER / КОНТРОЛЕР / КОНТРОЛЛЕР / コントローラ / 컨트롤러

A BUTTON / PULSANTE / BOUTON / TASTE / BOTÓN / BOTÃO / KNOP / PAINIKE / KNAP / KNAPP / KNAPP / HNAPPUR / GUMB / TLAČIDLO / TLAČITKO / GOMB / BUTON / БУТОН / DUGME / KΟΥΜΠΗ / DŪGME / PRZYCISK / КНОПКА / ボタン / 버튼

B LED INDICATOR / INDICATORE LED / VOYANT / LED-ANZEIGE / INDICADOR LED / INDICADOR DE CHUMBO / LED-INDICATOR / LED-ILMAISIN / LED-INDIKATOR / LED-INDIKATOR / LED-INDIKATOR / LED LÛS / INDIKATOR LED / LED INDIKÁTOR / LED-KJELZŐ / INDICATOR LED / СВЕТОДИОДЕН ИНДИКАТОР / LED INDIKATOR / ΕΝΔΕΙΞΗ LED / LED GÖSTERGE / WSKAZNIK LED / СВІТЛОДИОДНИЙ ІНДИКАТОР / СВЕТОДИОДНЫЙ ИНДИКАТОР / リードインジケータ / LED 표시등 /

EN

- CONTINUOUS GREEN: Direct Wi-Fi mode, connected
- FLASHING GREEN: Direct Wi-Fi mode, no device connected
- CONTINUOUS BLUE: Home Wi-Fi network mode, connected
- FLASHING BLUE: Home Wi-Fi network mode, connection in progress
- FLASHING RED: Home Wi-Fi network mode, unable to connect

- LIGHT BLUE: SETUP MODE (Bluetooth ON)
- YELLOW: Firmware Update in progress
- CONTINUOUS RED: General error

- FLASHING WHITE: Reset procedure in progress

DE

- GRÜN ERLEUCHTET: Direkter Wi-Fi-Modus, verbunden
- GRÜN BLINKEND: Direkter Wi-Fi-Modus, kein Gerät verbunden
- BLAU ERLEUCHTET: Heim-Wi-Fi-Netzwerkmodus, verbunden
- BLAU BLINKEND: Heim-Wi-Fi-Netzwerkmodus, Verbindung wird hergestellt
- ROT BLINKEND: Heim-Wi-Fi-Netzwerkmodus, keine Verbindung möglich

- HELLBLAU: SETUP-MODE (Bluetooth EIN)
- GELB: Firmware wird aktualisiert
- ROT ERLEUCHTET: Allgemeiner Fehler

- WEISS BLINKEND: Vorgang wird zurückgesetzt

PT

- CONTINUO VERDE: Direkto Wi-Fi modus - verbonden
- VERDE BRILHANTE: Direkto Wi-Fi modus, geen apparaat aangesloten
- CONTINUO AZUL: Heim-Wi-Fi-netwerkmodus, verbonden
- BLAU BRILHANTE: Heim-Wi-Fi-netwerkmodus, bezigt met verbonden
- ROOD KNIPPEREN: Thuis Wi-Fi-netwerkmodus, niet in staat om verbinding te maken

- CYAN: SETUP modus (Bluetooth aan)
- GEL: Firmware update wordt uitgevoerd
- CONTINUO ROOD: algemene fout

- WIT KNIPPEREN: resetprocedure wordt uitgevoerd

SV

- LYSER GRÖNT: anslutningsläge, ansluten
- BLINKER GRÖNT: anslutningsläge, ingen enhet ansluten
- LYSER BLÅTT: Wi-Fi-läge, ansluten
- BLINKER BLÅTT: Wi-Fi-läge, anslutning pågår
- BLINKER RÖTT: Wi-Fi-läge, kan inte ansluta

- LJUSBLÅTT: KONFIGURATIONSLÄGE (Bluetooth PÅ)
- GULT: Uppdatering av fast programvara pågår
- LYSER RÖTT: Allmänt fel

- BLINKER VITT: Återställning pågår

IT

- VERDE FISSO: modalità Wi-Fi diretta - connesso
- VERDE LAMPEGGIANTE: modalità Wi-Fi diretta - nessun dispositivo collegato
- BLU FISSO: modalità rete Wi-Fi domestica - connesso
- BLU LAMPEGGIANTE: modalità rete Wi-Fi domestica - connessione in corso
- ROSSO LAMPEGGIANTE: modalità rete Wi-Fi domestica - impossibile connettersi

- AZZURRO: Modalità SETUP (Bluetooth accesso)
- GIALLO: Aggiornamento Firmware in corso
- ROSSO FISSO: Errore generale

- BIANCO LAMPEGGIANTE: Procedura Reset in corso

NL

- CONTINUU GROEN: Directe Wi-Fi modus - verbonden
- GROEN KNIPPEREN: Directe Wi-Fi modus, geen apparaat aangesloten
- CONTINUU BLAUW: Thuis Wi-Fi-netwerkmodus, verbonden
- BLAUW KNIPPEREN: Thuis Wi-Fi-netwerkmodus, bezig met verbinden
- ROOD KNIPPEREN: Thuis Wi-Fi-netwerkmodus, niet in staat om verbinding te maken

- CYAN: SETUP modus (Bluetooth aan)
- GEEL: Firmware update wordt uitgevoerd
- CONTINUU ROOD: algemene fout

- WIT KNIPPEREN: resetprocedure wordt uitgevoerd

DA

- FORTSAT GRØN: AP-tilstand, tilsluttet
- BLINKENDE GRØN: AP-tilstand, ingen enhed tilsluttet
- FORTSAT BLÅ: Wi-Fi-tilstand, tilsluttet
- BLINKENDE BLÅ: Wi-Fi-tilstand, forbindelse er i gang
- BLINKENDE RØD: Wi-Fi-tilstand, kan ikke oprette forbindelse

- LYSEBLÅ: OPSÆTNINGSTILSTAND (Bluetooth TIL)
- GUL: Firmwareopdatering er i gang
- KONTINUERLIG RØD: Generel fejl

- BLINKENDE HVIT: Nulstillingsprocedure er i gang

NO

- KONTINUERLIG GRØNT: AP-modus, tilkoblet
- BLINKER GRØNT: AP-modus, ingen enhet tilkoblet
- KONTINUERLIG BLÅTT: Wi-Fi-modus, tilkoblet
- BLINKER BLÅTT: Wi-Fi-modus, tilkobling pågår
- BLINKER RØDT: Wi-Fi-modus, kan ikke koble til

- LYSEBLÅTT: OPPSETTSMODUS (Bluetooth PÅ)
- GULT: Fastvareoppdatering pågår
- KONTINUERLIG RØDT: Generell feil

- BLINKER HVITT: Tilbakestillingsprosedyre pågår

FR

- VERT FIXE : Mode Wi-Fi direct, connecté
- VERT CLIGNOTANT : Mode Wi-Fi direct, aucun appareil connecté
- BLEU FONCÉ FIXE : Mode réseau Wi-Fi domestique, connecté
- BLEU FONCÉ CLIGNOTANT : Mode réseau Wi-Fi domestique, connexion en cours
- ROUGE CLIGNOTANT : Mode réseau Wi-Fi domestique, impossible de se connecter

- BLEU CLAIR FIXE : mode CONFIGURATION (Bluetooth actif)
- JAUNE FIXE : mise à jour du micrologiciel en cours
- ROUGE FIXE : erreur générale

- BLANC CLIGNOTANT : procédure de réinitialisation en cours

ES

- LUZ VERDE FIJA: Modo Wi-Fi directo, conectado
- LUZ VERDE INTERMITENTE: Modo Wi-Fi directo, no hay ningún dispositivo conectado
- LUZ AZUL FIJA: Modo de red wifi doméstica, conectado
- LUZ AZUL INTERMITENTE: Modo de red wifi doméstica, conectándose
- LUZ ROJA INTERMITENTE: Modo de red wifi doméstica, imposible conectarse

- AZUL: modo de CONFIGURACIÓN (Bluetooth encendido)
- AMARILLO: firmware actualizándose
- LUZ ROJA FIJA: error general

- LUZ BLANCA INTERMITENTE: procedimiento de reinicio en curso

FI

- PALAA VIHREÄNÄ: AP-tila, yhdistetty
- VILKKUVA VIHREÄ: AP-tila, laiteita ei ole kytketty
- PALAA SINISENÄ: Wi-Fi-tila, yhdistetty
- VILKKUVA SININEN: Wi-Fi-tila, yhteistä muodostetaan
- VILKKUVA PUNAISENÄ: Wi-Fi-tila, yhteistä ei voi muodostaa

- VAALEANSININEN: ASETUSTILA (Bluetooth PÄÄLLÄ)
- KELTAINEN: Laiteohjelmistopäivitys käynnissä
- PALAA PUNAISENÄ: Yleinen virhe

- VILKKUVA VALKOINEN: Nollaus on käynnissä

IS

- STÖÐUGT GRÆNT: AP stilling, tengt
- BLIKKANDI GRÆNT: AP stilling, ekkert tæki tengt
- STÖÐUGT BLÁTT: Wi-Fi stilling, tengt
- BLIKKANDI BLÁTT: Wi-Fi stilling, tenging í gangi
- BLIKKANDI RÁUÐT: Wi-Fi stilling, ekki hægt að tengast

- LJÓSBLÁTT: UPPSETNING (Bluetooth KVEIKT)
- GULT: Uppsetning fastúnaðar í gangi
- STÖÐUGT RÁUÐT: Almenn villa

- BLIKKANDI HVÍTT: Endurstilling í gangi

SL

- SVETI ZELENO: način dostopne točke (AP), povezano
- UTRIPA ZELENO: način dostopne točke (AP), nobena naprava ni povezana
- SVETI MODRO: način Wi-Fi, povezano
- UTRIPA MODRO: način Wi-Fi, vzpostavljanje povezave
- UTRIPA RDEČE: način Wi-Fi, povezave ni mogoče vzpostaviti

- SVETLO MODRA: NAČIN NASTAVITVE (Bluetooth je vklopljen)
- RUMENKA: posodabljanje vdelane programske opreme
- SVETI RDEČE: splošna napaka

- UTRIPA BELO: poteka ponastavitev

SK

- NEPRETRŽITÁ ZELENÁ: režim AP, pripojený
- BLIKAJÚCA ZELENÁ: režim AP, nie je pripojené žiadne zariadenie
- NEPRETRŽITÁ MODRÁ: režim Wi-Fi je pripojený
- NEPRETRŽITÁ MODRÁ: režim Wi-Fi, prebieha pripojenie
- BLIKAJÚCA ČERVENÁ: režim Wi-Fi, pripojenie sa nepodarilo

- SVETLÁ MODRÁ: REŽIM NASTAVENIA (Bluetooth ZAPNUTÝ)
- ŽLTÁ: Prebieha aktualizácia firmvéru
- NEPRETRŽITÁ ČERVENÁ: všeobecná chyba

- BLIKAJÚCA BIELA: Prebieha resetovanie

CS

- NEPŘETRŽITÁ ZELENÁ: Režim AP, připojeno
- BLIKAJÍCÍ ZELENÁ: režim AP, není připojeno žádné zařízení
- NEPŘETRŽITÁ MODRÁ: režim Wi-Fi, připojeno
- BLIKAJÍCÍ MODRÁ: režim Wi-Fi, probíhá připojení
- BLIKAJÍCÍ ČERVENÁ: režim Wi-Fi, nelze se připojit

- SVĚTLÉ MODRÁ: REŽIM NASTAVENÍ (Bluetooth ZAPNUTÝ)
- ŽLUTÁ: Probíhá aktualizace firmwaru
- NEPŘETRŽITÁ ČERVENÁ: Obecná chyba

- BLIKAJÍCÍ BÍLÁ: Prohibní resetovací procedura

HU

- FOLYAMATOS ZÖLD: AP mód, csatlakoztatva
- VILLOGO ZÖLD: AP mód, nincs csatlakoztatva eszköz
- FOLYAMATOS KÉK: Wi-Fi mód csatlakoztatva
- VILLOGO KÉK: Wi-Fi mód, a kapcsolódás folyamatban van
- VILLOGO VÖRÖS: Wi-Fi mód, nem lehet csatlakozni

- VILÁGOS KÉK: BEÁLLÍTÁSI MÓD (Bluetooth BE)
- SÁRGA: A firmware frissítése folyamatban van
- FOLYAMATOS VÖRÖS: Általános hiba

- VILLOGO FEHÉR: Visszaállítási eljárás folyamatban van

RO

- VERDE CONTINUU: modul AP, conectat
- VERDE INTERMITENT: modul AP, niciun dispozitiv conectat
- ALBASTRU CONTINUU: modul AP, conectat
- ALBASTRU INTERMITENT: modul Wi-Fi, conexiune în curs
- ROȘU INTERMITENT: modul Wi-Fi, nu se poate conecta

- ALBASTRU DESCHIS: MOD CONFIGURARE (Bluetooth PORNIT)
- GALBEN: Actualizare firmware în curs
- ROȘU CONTINUU: Eroare generală

- ALB INTERMITENT: Procedura de resetare este în curs

BG

- ПРОДЪЛЖИТЕЛНО ЗЕЛЕНО: Директен режим на Wi-Fi, свързан
- МИГАЩО ЗЕЛЕНО: режим Direct Wi-Fi, няма свързано устройство
- НЕПРЕКЪЧАТО СИННО: режим на домашна Wi-Fi мрежа, свързан
- МИГАЩО СИННО: режим на домашна Wi-Fi мрежа, в процес на свързване
- МИГАЩО ЧЕРВЕНО: Режим на домашна Wi-Fi мрежа, невъзможност за свързване

- СВЕТЛО СИННО: РЕЖИМ НА НАСТРОЙКА (включен Bluetooth)
- ЖЪЛТО: Актуализация на фирмуера в ход
- НЕПРЕКЪЧАТО ЧЕРВЕНО: Обща грешка

- МИГАЩО БЯЛО: Процедура за нулиране в ход

HR

- CONTINUOUS GREEN: Izravni Wi-Fi način rada, povezan
- TREPERI ZELENO: Izravni Wi-Fi način rada, nijedan uređaj nije povezan
- CONTINUOUS BLUE: Kućni Wi-Fi mrežni način rada, povezan
- FLASHING BLUE: Kućni Wi-Fi mrežni način rada, veza u tijeku
- TREPERI CRVENO: Kućni Wi-Fi mrežni način rada, nije moguće povezivanje

- SVJETLOPLAVA: NAČIN POSTAVLJANJA (Bluetooth UKLJUČEN)
- ŽUTO: Ažuriranje firmvera u tijeku
- KONTINUIRANA CRVENA: Opća pogreška

- TREPERI BIJELO: Postupak vraćanja na izvorno u tijeku

GR

- ΣΥΝΕΧΕΣ ΠΡΑΣΙΝΟ: Λειτουργία Direct Wi-Fi, συνδεδεμένο
- Αναβοσβήνει με πράσινο χρώμα: Άμεση λειτουργία Wi-Fi, δεν υπάρχει συνδεδεμένη συσκευή
- ΣΥΝΕΧΟΣ ΜΠΛΕ: Λειτουργία οικιακού δικτύου Wi-Fi, συνδεδεμένη
- ΜΠΛΕ αναβοσβήνει: Λειτουργία οικιακού δικτύου Wi-Fi, σύνδεση σε εξέλιξη
- ΚΟΚΚΙΝΟ ΤΙΟΤ ΑΝΑΒΟΣΒΗΝΕΙ: Λειτουργία οικιακού δικτύου Wi-Fi, αδύναμα σύνδεση

- ΜΠΛΕ ΦΩΤΙΣΜΟ: ΛΕΙΤΟΥΡΓΙΑ ΡΥΘΜΙΣΗΣ (Bluetooth ενεργοποιημένο)
- ΚΙΤΡΙΝΟ: Ενημέρωση υλικολογισμικού σε εξέλιξη
- ΣΥΝΕΧΕΣ ΚΟΚΚΙΝΟ: Γενικό σφάλμα

- ΛΕΥΚΟ αναβοσβήνει: Διαδικασία επαναφοράς σε εξέλιξη

TR

- SÜREKLİ YEŞİL: Doğrudan Wi-Fi modu, bağlı
- YANIP SÖNEN YEŞİL: Doğrudan Wi-Fi modu, bağlı
- SÜREKLİ MAVİ: Ev Wi-Fi ağı modu, bağlı
- YANIP SÖNEN MAVİ: Ev Wi-Fi ağı modu, bağlantı devam ediyor
- KIRMIZI YANIP SÖNÜYOR: Ev Wi-Fi ağı modu, bağlantılamıyor

- AÇIK MAVİ: KURULUM MODU (Bluetooth AÇIK)
- SARIL: Ürün Yazılım Güncellemesi devam ediyor
- SÜREKLİ KIRMIZI: Genel hata

- YANIP SÖNEN BEYAZ: Sıfırlama prosedürü devam ediyor

PL

- STAŁE ZIELONE: tryb Punktu dostępowego - załwieczono
- MIGAJĄCE ZIELONE: tryb Punktu dostępowego - zadane uzadnienie nie jest połączzone
- STAŁE NIEBIESKIE: tryb Wi-Fi, połączono
- MIGAJĄCE NIEBIESKIE: tryb Wi-Fi, połączenie w toku
- MIGAJĄCE CZERWONE: tryb Wi-Fi, brak możliwości połączenia

- NIEBIESKIE: TRYB USTAWIENIA (Bluetooth złączony)
- ŻÓŁTE: Aktualizacja oprogramowania sprzętowego w toku
- STAŁE CZERWONE: Błąd ogólny

- BIAŁE MIGAJĄCE: Procedura resetowania w toku

UA

- БЕЗПЕРЕРВНИЙ ЗЕЛЕНИЙ: режим точки доступу, підключено
- БЛИМАННЯ ЗЕЛЕНИМ: режим точки доступу, немає підключених пристроїв
- БЕЗПЕРЕРВНИЙ СИНИЙ: режим Wi-Fi, підключено
- БЛИМАННЯ СИНИМ: режим Wi-Fi, підключення встановлюється
- БЛИМАННЯ ЧЕРВОНИМ: режим Wi-Fi, не вдалося підключитися

- СВІТЛО СИНИЙ: РЕЖИМ НАЛАШТУВАННЯ (Bluetooth увімкнено)
- ЖОВТИЙ: триває оновлення мікропрограми
- БЕЗПЕРЕРВНИЙ ЧЕРВОНИЙ: загальна помилка

- БЛИМАННЯ БІЛИМ: виконується скидання

RU

- НЕМИГАЮЩИЙ ЗЕЛЕНЫЙ: режим точки доступа, подключен
- МИГАЮЩИЙ ЗЕЛЕНЫЙ: режим точки доступа, нет подключенных устройств
- НЕМИГАЮЩИЙ СИНИЙ: режим Wi-Fi, подключен
- МИГАЮЩИЙ СИНИЙ: режим Wi-Fi, выполняется соединение
- МИГАЮЩИЙ КРАСНЫЙ: режим Wi-Fi, подключение невозможно

- ГОЛУБОЙ: Режим НАСТРОЙКИ (Bluetooth включен)
- ЖЕЛТЫЙ: Идет обновление прошивки
- НЕМИГАЮЩИЙ КРАСНЫЙ: Общая ошибка

- МИГАЮЩИЙ БЕЛЫЙ: Выполняется процедура сброса.

JP

- CONTINUOUS GREEN : Direct-Wi-Fiモード、接続中
- 緑色の点滅 : Direct-Wi-Fiモード、デバイスが接続されていません。
- CONTINUOUS BLUE : ホームWi-Fiネットワークモード、接続中
- 青く点滅 : ホームWi-Fiネットワークモード、接続中
- 赤色で点滅しています。ホームWi-Fiネットワークモード、接続できない

- 水色 : SETUP MODE (Bluetooth ON)
- 黄色です。ファームウェアアップデート中
- コンティニューアスレッド 一般的なエラー

- 白色で点滅 : リセット処理中

KR

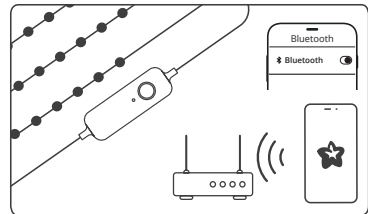
- 계속 녹색: 직접 Wi-Fi 모드, 연결됨
- 녹색 깜빡임: 직접 Wi-Fi 모드, 연결되지 않음
- 계속 파란색: 홈 Wi-Fi 네트워크 모드, 연결됨
- 파란색 점멸: 홈 Wi-Fi 네트워크 모드, 연결 진행 중
- 빨간색 점멸: 홈 Wi-Fi 네트워크 모드, 연결할 수 없음

- 연한 파란색: 설정 모드(블루투스 켜짐)
- 노란색: 펌웨어 업데이트 진행 중
- 계속 빨간색: 일반 오류

- 흰색 점멸: 재설정 절차 진행 중

A. Home wifi network connection

CONNESSIONE RETE WI-FI DOMESTICA / CONNEXION RÉSEAU DOMESTIQUE WI-FI / HOME WI-FI-NETZWERKVERBINDUNG / CONEXIÓN DE RED WI-FI HOME / LIGAÇÃO À REDE WIFI HOME / HOME WI-FI-NETZWERKVERBINDUNG / HOME WI-FI-NETZWERKSFORBINDELSE / HEM WI-FI-NÄTVERKSFORBINDELSE / HJEMME-WI-FI-NETTVERKSTILKOBLING / HOME WI-FI NETTING / HOME WI-FI OMRÉŽNA POVEZAVA / DOMOV PRIPOJENIE SIETE WI-FI / HOME PŘIPOJENÍ K SÍTI WI-FI / OTTHONI WI-FI HÁLÓZATI KAPCSOLAT / HOME CONEXIUNE LA REȚEA WI-FI / СВЯЗЬ ВНЕ ДОМАШНА WI-FI МРЕЖА / KUĆNA WI-FI MREŽNA VEZA / ΣΥΝΔΕΣΗ ΔΙΚΤΥΟΥ WIFI ΣΤΟ ΣΠΙΤΙ / EV WIFI AĞ BAĞLANTISI / POLAČZENIE SIECIOWE WI-FI HOME / ГОЛОВНА ПІДКЛЮЧЕННЯ ДО МЕРЕЖИ WI-FI / ДОМАШНЕ ПОДКЛЮЧЕНИЕ К СЕТИ WI-FI / 家庭用Wi-Fiネットワーク接続 / 홈 와이파이 네트워크 연결



EN Twinkly uses Bluetooth for the setup process only. Wi-Fi connection is required for operation. You can use: **Home Wi-Fi network connection (recommended):** Connect with your home/office WiFi from the list of available networks.

IT Twinkly usa il Bluetooth solo per il processo di installazione. Per il funzionamento è necessaria la connessione Wi-Fi. Puoi usare: **Connessione di rete Wi-Fi domestica (consigliato):** Connettiti al tuo WiFi di casa / ufficio dall'elenco delle reti disponibili.

FR Twinkly utilise Bluetooth pour le processus d'installation uniquement. Une connexion Wi-Fi est requise pour le fonctionnement. Vous pouvez utiliser: **Connexion réseau Wi-Fi domestique (conseillé):** Connectez-vous avec le WiFi de votre domicile / bureau à partir de la liste des réseaux disponibles.

DE Twinkly verwendet Bluetooth nur für den Einrichtungsvorgang. Für den Betrieb ist eine WLAN-Verbindung erforderlich. Sie können verwenden: **Heim-Wi-Fi-Netzwerkverbindung (empfohlen):** Stellen Sie über die Liste der verfügbaren Netzwerke eine Verbindung zu Ihrem Heim- / Büro-WLAN her.

NL Twinkly gebruikt Bluetooth alleen voor het installatieproces. Wi-Fi-verbinding is vereist voor gebruik. U kunt gebruiken: **Thuis Wi-Fi-netwerkverbinding (aanbevolen):** Maak verbinding met uw thuis- / kantoor-wifi uit de lijst met beschikbare netwerken.

ES Twinkly usa Bluetooth solo para el proceso de configuración. Se requiere conexión Wi-Fi para su funcionamiento. Puede usar: **Conexión de red Wi-Fi doméstica (recomendado):** Conectese con el WiFi de su hogar / oficina de la lista de redes disponibles.

PT Twinkly utiliza o Bluetooth apenas para o processo de configuração. É necessária a conexão Wi-Fi para o funcionamento. Pode utilizar: **Ligação à rede Wi-Fi doméstica (recomendado):** Ligue-se à sua rede WiFi de casa/escritório a partir da lista de redes disponíveis.

DA Twinkly bruger kun Bluetooth til installationsprocessen. Wi-Fi-tilkobling er påkrævet for drift. Du kan bruge: **Wi-Fi-netværksforbindelse (anbefales):** Opret forbindelse til dit WiFi i hjemmet/på kontoret fra listen over tilgængelige netværk.

FI Twinkly käyttää Bluetoothia vain asennusprosessissa. Sovelluksen toiminta vaatii Wi-Fi-yhteyden. Voit käyttää seuraavia: **Wi-Fi-kotiverkkoyhteys (suositus):** Yhdistä kotisi tai toimistosi Wi-Fi-verkkoon käytettävissä olevien verkkojen luettelosta.

SV Twinkly använder endast Bluetooth vid installationen. Resten av funktionerna kräver Wi-Fi-anslutning. Du kan använda: **En Wi-Fi-anslutning i hemmet (rekommenderas):** Anslut till ditt privata nätverk eller företagsnätverk i listan med tillgängliga nätverk.

NO Twinkly bruker kun Bluetooth for oppsettprosessen. Wi-Fi-tilkobling er nødvendig for drift. Du kan bruke: **Hjemnettet med Wi-Fi-tilkobling (anbefalt):** Koble til ditt hjem-/kontor-WiFi fra listen over tilgjengelige netverk.

IS Twinkly notar Bluetooth einungis fyrir uppsetningarferlið. Wi-Fi tenging er nauðsynleg til að nota forritið. Þú getur notað: **Wi-Fi tengingun heimilisins (ráðlagt):** Tengdu við WiFi heimilisins/vinnustaðar frá listanum yfir fánlegar tengingar.

SL Aplikacija Twinkly uporablja povezavo Bluetooth samo za postopek nastavitve. Za uporabo aplikacije potrebujete povezavo Wi-Fi. Uporabite lahko: **Domacho omrežje zvezo Wi-Fi (priporočljivo):** Vzpostavite povezavo z razpoložljivim domačim/službenim omrežjem Wi-Fi na seznamu.

SK Twinkly používa Bluetooth iba na proces nastavenia. Na prevádzku je vyžadovaná pripojenie Wi-Fi. Môžete použiť: **Domáce pripojenie k sieti Wi-Fi (odporúčame):** Pripojte sa k domácej/kancelárskej sieti WiFi zo zoznamu dostupných síti.

CS Twinkly používá Bluetooth pouze pro proces instalace. Pro provoz je vyžadováno připojení Wi-Fi. Můžete použít: **Připojení k domácí Wi-Fi síti (doporučeno):** Připojte se k domácí / kancelářské Wi-Fi ze seznamu dostupných sítí.

HU A Twinkly a Bluetooth-ot csak a telepítési folyamatokhoz használja. A működéshez Wi-Fi hálózatra van szüksége. A következőket használhatja: **Otthoni Wi-Fi hálózati kapcsolat (ajánlott):** Csatlakozzon otthoni/rodai WiFi-héjhez az elérhető hálózatok listájáról.

RO Twinkly folosește Bluetooth numai pentru procesul de configurare. Este necesară o conexiune Wi-Fi pentru funcționare. Poți să folosești: **Conexiune la rețeaua Wi-Fi de acasă (recomandată):** Conectează-te cu WiFi de acasă/birou din lista de rețele disponibile.

BG Twinkly използва Bluetooth само за процеса на настройка. За работа е необходима Wi-Fi връзка. Можете да използвате: **Връзка с домашна Wi-Fi мрежа (препоръчително):** Свържете се с домашната/офисната си Wi-Fi мрежа от списъка с налични мрежи.

HR Twinkly koristi Bluetooth samo za postupak postavljanja. Za rad je potrebna Wi-Fi veza. Možete koristiti: **Kućna Wi-Fi mrežna veza (preporučeno):** Povežite se s kućnim/uredskim WiFi-jem s popisa dostupnih mreža.

GR To Twinkly χρησιμοποιεί Bluetooth μόνο για τη διαδικασία εγκατάστασης. Για τη λειτουργία απαιτείται σύνδεση Wi-Fi. Μπορείτε να χρησιμοποιήσετε: **Σύνδεση οικιακού δικτύου Wi-Fi (συνιστάται):** Συνδέστε με το WiFi του σπιτιού/υραείου σας από τη λίστα των διαθέσιμων δικτύων.

TR Twinkly yalnızca kurulum işlemi için Bluetooth kullanır. Çalışma için Wi-Fi bağlantısı gereklidir. Kullanabilirsiniz: **Ev Wi-Fi ağ bağlantısı (önerilir):** Mevcut ağlar listesinden ev/ofis WiFi ağınıza bağlanın.

PL Twinkly korzysta z Bluetooth wyłącznie w celu konfiguracji. Do funkcjonowania wymagane jest połączenie Wi-Fi. Możliwe jest użycie: **Połączenia z domową siecią Wi-Fi (zalecane):** Połącz się z siecią Wi-Fi z listy sítí dostępnych w domu / biurze.

UA Twinkly використовує Bluetooth лише для налаштування. Для роботи необхідне підключення до Wi-Fi. Ви можете використовувати: **Підключення до домашньої мережі Wi-Fi (рекомендується):** Підключіться до мережі Wi-Fi вдома або на роботі, знайшовши її в списку доступних...

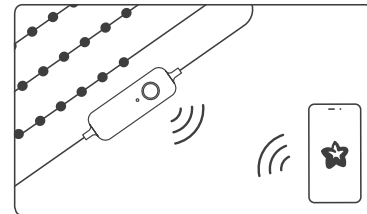
RU Twinkly использует Bluetooth только для процесса установки. Для работы требуется подключение к Wi-Fi. Вы можете использовать: **Подключение к домашней сети Wi-Fi (рекомендуется):** Подключитесь к домашнему / офисному Wi-Fi и

JP Twinklyは、セットアップ処理にのみBluetoothを使用します。操作にはWi-Fi接続が必要です。使用することができます。 **自宅Wi-Fiネットワーク接続 (推奨):** 利用可能なネットワークの一覧から、自宅/オフィスのWiFiで接続します。

KR 트윙클리는 설정 과정에만 블루투스를 사용합니다. 작동하려면 Wi-Fi 연결이 필요합니다. 사용할 수 있습니다: **홈 Wi-Fi 네트워크 연결 (권장):** 사용 가능한 네트워크 목록에서 집/사무실 Wi-Fi에 연결합니다. 사용 가능한 네트워크 목록에서 집/사무실 Wi-Fi에 연결합니다.

B. Direct wi-fi connection

CONNESSIONE WI-FI DIRETTA / CONNEXION WI-FI DIRECT / DIREKTE WLAN-VERBINDUNG / CONEXIÓN WI-FI DIRECTA / LIGAÇÃO WI-FI DIRECTA / DIRECTE WI-FI-VERBINDUNG / DIREKTE WI-FI-FORBINDELSE / DIREKT WI-FI-ANSLUTNING / DIREKTE WI-FI-TILKOBLING / BEIM WI-FI TENGING / NEPOSREDNA POVEZAVA Z OMRÉŽNIM WI-FI / PRIAME WI-FI PŘIPOJENÍ / PRIMÉ WI-FI PŘIPOJENÍ / KOZVETLEN WI-FI KAPCSOLAT / CONEXIUNE WI-FI DIRECTA / ДИРЕКТНА WI-FI ВРЪЗКА / IZRAVNA WI-FI VEZA / BEZPOŠREDNIE POŁĄCZENIE WI-FI / ПРЯМЕ ПІДКЛЮЧЕННЯ ДО МЕРЕЖИ WI-FI / ПРЯМОЕ ПОДКЛЮЧЕНИЕ WI-FI / Wi-Fiダイレクト接続 / 직접 Wi-Fi 연결



EN Wi-Fi connection is required for operation. You can use: **Direct Wi-Fi connection: Select "Twinkly xxxxxx" WiFi from the list of available networks. Password: Twinkly2019** (NOTE: the internet on your phone will not be available in this case)

IT Per il funzionamento è necessaria la connessione Wi-Fi. Puoi usare: **Connessione Wi-Fi diretta:** Seleziona "Twinkly xxxxxx" WiFi dall'elenco delle reti disponibili. Password: **Twinkly2019** (NOTA: in questo caso sul tuo telefono non sarà disponibile Internet)

FR Une connexion Wi-Fi est requise pour le fonctionnement. Vous pouvez utiliser: **Connexion Wi-Fi directe:**Sélectionnez « Twinkly XXXXXX » WiFi dans la liste des réseaux disponibles. Mot de passe: **Twinkly2019** (NOTE: Internet sur votre téléphone ne sera pas disponible dans ce cas)

DE Für den Betrieb ist eine WLAN-Verbindung erforderlich. Sie können verwenden: **Direkte Wi-Fi-Verbindung:** Wählen Sie „Twinkly xxxxxx“ WiFi aus der Liste der verfügbaren Netzwerke. Passwort: **Twinkly2019** (HINWEIS: In diesem Fall ist das Internet auf Ihrem Telefon nicht verfügbar.)

NL Wi-Fi-verbinding is vereist voor gebruik. U kunt gebruiken: **Directe wi-fi-verbinding:** Selecteer "Twinkly xxxxxx" WiFi in de lijst met beschikbare netwerken. Wachtwoord: **Twinkly2019** (OPMERKING: het internet op uw telefoon is in dit geval niet beschikbaar)

ES Se requiere conexión Wi-Fi para su funcionamiento. Puede usar: **Conexión Wi-Fi directa:** Seleccione "Twinkly xxxxxx" WiFi de la lista de redes disponibles. Contraseña: **Twinkly2019** (NOTA: Internet en su teléfono no estará disponible en este caso)

PT A ligação Wi-Fi é necessária para o funcionamento. Pode utilizar: **Ligação Wi-Fi directa:** Seleccionar "Twinkly xxxxxx" WiFi da lista de redes disponíveis. Palavra-passe: **Twinkly2019** (NOTA: a Internet no seu telefone não estará disponível neste caso)

DA Wi-Fi-forbindelse er påkrævet for drift. Du kan bruge: **Direkte Wi-Fi-forbindelse:** Vælg "Twinkly xxxxxx" WiFi fra listen over tilgængelige netværk. Adgangskode: **Twinkly2019** (BEMÆK: Internettet på din telefon vil ikke være tilgængeligt i dette tilfælde)

FI Sovelluksen toiminta vaatii Wi-Fi-yhteyden. Voit käyttää seuraavia: **Suora Wi-Fi-yhteys:** Valitse "Twinkly xxxxxx" -Wi-Fi-yhteys käytettävissä olevien verkkojen luettelosta. Salasana: **Twinkly2019** (HUOMAA: puhelimesi Internet ei ole tässä tapauksessa käytettävissä)

SV Resten av funktionerna kräver Wi-Fi-anslutning. Du kan använda: **Direkt Wi-Fi-anslutning:** Välj "Twinkly xxxxxx" i listan över tillgängliga Wi-Fi-nätverk. Lösenordet är: **Twinkly2019** (OBS: i så fall är internetuppkopplingen på din telefon inte tillgänglig)

NO Wi-Fi-tilkobling er nødvendig for drift. Du kan bruke: **Direkte Wi-Fi-tilkobling:** Velg "Twinkly xxxxxx"-WiFi fra listen over tilgjengelige netverk. Passord: **Twinkly2019** (MERK: Internett på telefonen din vil ikke være tilgjengelig i dette tilfellet)

IS Wi-Fi tenging er nauðsynleg til að nota forritið. Þú getur notað: **Beina Wi-Fi tenging:** Veldu „Twinkly xxxxxx“ WiFi frá listanum yfir fánlegar tengingar. Aðgangsorð: **Twinkly2019** (ATH: netið í símanum þínum er ekki fánlegt í þessu tilfalli)

SL Za uporabo aplikacije potrebujete povezavo Wi-Fi. Uporabite lahko: **Neposredno povezavo Wi-Fi:** Na seznamu razpoložljivih omrežij Wi-Fi izberite »Twinkly xxxxxx«. Geslo: **Twinkly2019** (OPOMBA: V tem primeru internet v telefonu ne bo na voljo)

SK Na prevádzku je potrebné pripojenie Wi-Fi. Môžete použiť: **Priame pripojenie Wi-Fi:** V zozname dostupných síti vyberte možnosť „Twinkly xxxxxx“ WiFi. Heslo: **Twinkly2019** (POZNÁMKA: V tomto prípade nebude internet vo vašom telefóne k dispozícii.)

CS Pro provoz je vyžadováno připojení Wi-Fi. Můžete použít: **Přímé připojení Wi-Fi:** Ze seznamu dostupných sítí vyberte „Twinkly xxxxxx“ WiFi. Heslo: **Twinkly2019** (POZNÁMKA: V tomto případě nebude internet ve vašem telefonu k dispozici)

HU A működéshez Wi-Fi kapcsolat szükséges. A következőket használhatja: **Közvetlen Wi-Fi kapcsolat:** Válassza ki a „Twinkly xxxxxx“ WiFi lehetőséget az elérhető hálózatok listájából. Jelszó: **Twinkly2019** (MÉGÍGYÉZÉS: ebben az esetben a telefonján az internet nem lesz elérhető)

RO Este necesară o conexiune Wi-Fi pentru funcționare. Poți să folosești: **Conexiune Wi-Fi directă:** Selectează „Twinkly xxxxxx“ WiFi din lista de rețele disponibile. Parolă: **Twinkly2019** (NOTĂ: Internetul de pe telefonul tău nu va fi disponibil în acest caz)

BG За работа е необходима Wi-Fi връзка. Можете да използвате: **Директна Wi-Fi връзка:** Изберете "Twinkly xxxxxx" WiFi от списъка с наличните мрежи. Парола: **Twinkly2019** (ЗАБЕЛЕЖКА: в този случай интернетът на телефона ви няма да е достъпен)

HR Za rad je potrebna Wi-Fi veza. Možete koristiti: **Izravna Wi-Fi veza:** Na popisu dostupnih mreža odaberite WiFi "Twinkly xxxxxx". Lozinka: **Twinkly2019** (NAPOMENA: internet na vašem telefonu u ovom slučaju neće biti dostupan)

GR Για τη λειτουργία απαιτείται σύνδεση Wi-Fi. Μπορείτε να χρησιμοποιήσετε: **Άμεση σύνδεση Wi-Fi:** Επιλογή "Twinkly xxxxxx" WiFi από τη λίστα των διαθέσιμων δικτύων. Κωδικός πρόσβασης: **Twinkly2019** (ΣΗΜΕΙΩΣΗ: το δικτύο στο τηλέφωνό σας δεν θα είναι διαθέσιμο σε αυτή την περίπτωση)

TR Çalışma için Wi-Fi bağlantısı gereklidir. Kullanabilirsiniz: **Doğrudan Wi-Fi bağlantısı:** "Twinkly xxxxxx" ağsini seçin. Merkezi ağlar listesinden WiFi, Şifre: **Twinkly2019** (NOT: bu durumda telefonunuzdaki internet kullanılmayacaktır)

PL Do funkcjonowania wymagane jest połączenie Wi-Fi. Możliwe jest użycie: **Bezpośredniego połączenia Wi-Fi:** Wybierz „Twinkly xxxxxx” Wi-Fi z listy dostępnych sieci. Hasło: **Twinkly2019** (UWAGA: w tym przypadku w Twoim telefonie nie będzie dostępny Internet)

UA Для роботи необхідне підключення до Wi-Fi. Ви можете використовувати: **Пряме підключення до Wi-Fi:** виберіть мережу Wi-Fi «twinkly xxxxxx» в списку доступних. Пароль: **Twinkly2019** (ПРИМІТКА. У цьому випадку на вашому телефоні не працюватиме підключення до Інтернету).

RU Для работы требуется подключение к Wi-Fi. Вы можете использовать: **Прямое подключение Wi-Fi:** Выберите «Twinkly xxxxxx» WiFi из списка доступных сетей. Пароль: **Twinkly2019** (ПРИМЕЧАНИЕ: в этом случае Интернет на вашем телефоне будет недоступен)

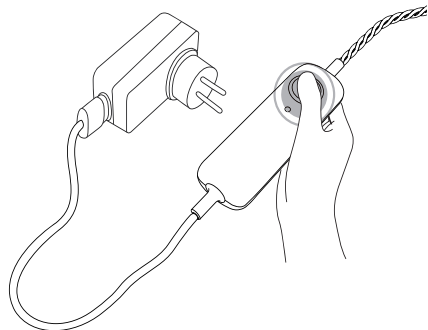
JP 操作にはWi-Fi接続が必要です。使用することができます。 **Wi-Fiで直接接続する。** “Twinkly xxxxxx” を選択する。利用可能なネットワーク一覧からWiFiを選択します。パスワード: **Twinkly2019** (注: この場合、携帯電話のインターネットは利用できません)。

KR 작동하려면 Wi-Fi 연결이 필요합니다. 사용할 수 있습니다. **Wi-Fi 직접 연결:** "Twinkly xxxxxx"를 선택하세요. Wi-Fi를 선택합니다. 비밀번호: **Twinkly2019**(참고: 이 경우 휴대전화의 인터넷을 사용할 수 없습니다.)

reset twinkly

RESET TWINKLY / RIPRISTINARE TWINKLY / RÉINITIALISER TWINKLY / TWINKLY ZURÜCKSETZEN / TESTABLECER TWINKLY / REINICIALIZAR TWINKLY / TWINKLY RESETTEN / NOLLA TWINKLY / NULSTIL TWINKLY / ÅTERSTÄLL TWINKLY / TILBAKESTILL TWINKLY / TWINKLY ENDURSTILT / PONASTAVITEV TWINKLY / RESETOJTE TWINKLY / RESETOJTE TWINKLY / ΕΠΑΝΑΦΟΡΑ TWINKLY / PARILTIYI SIFIRLA / A TWINKLY VISSZAÁLLÍTÁSA / RESETEAZĂ TWINKLY / НУЛИРАНЕ НА TWINKLY / RESETRAJTE TWINKLY / ZRESETOWAĆ PRODUKT / SKIDANНЯ TWINKLY / СБРОС TWINKLY / リセットインクリー / 반쪽반쪽 재설정

1.



- EN**
1. Unplug Twinkly from the power socket. Press and hold the controller button.
 2. While holding the button, plug in Twinkly.
 3. Keep holding the button until all LEDs turn red (or amber for Gold Edition), then release the button.

- IT**
1. Stacca Twinkly dalla presa di corrente, premi e continua a mantenere premuto il bottone del controller.
 2. Mentre stai ancora premendo il bottone, collega nuovamente Twinkly alla corrente.
 3. Continua a tenere premuto il pulsante fino a quando tutti i LED diventano rossi (o gialli per Gold Edition), quindi rilascia il pulsante.

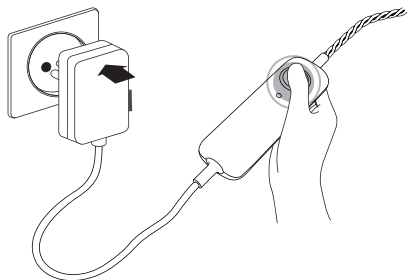
- FR**
1. Débranchez Twinkly puis appuyez sur le bouton du contrôleur et gardez-le enfoncé.
 2. Tout en maintenant le bouton enfoncé, rebranchez Twinkly.
 3. Maintenez le bouton enfoncé jusqu'à ce que tous les voyants deviennent rouges (ou orange pour Gold Edition), puis relâchez le bouton.

- DE**
1. Ziehen Sie Twinkly aus der Steckdose und halten Sie die Controller-Taste gedrückt.
 2. Schließen Sie bei gehaltenem Taste Twinkly wieder an das Stromnetz an.
 3. Halten Sie die Taste gedrückt, bis alle LEDs rot leuchten (oder gelb für Gold Edition), und lassen Sie dann die Taste los..

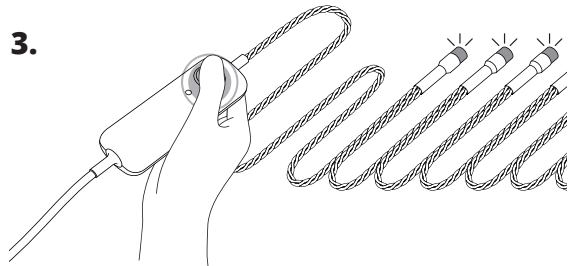
- NL**
1. Haal de stekker van Twinkly uit het stopcontact en houd de knop van de controller ingedrukt.
 2. Steek de stekker van Twinkly terug in het stopcontact, terwijl u de knop ingedrukt houdt.
 3. Blijf de knop ingedrukt houden totdat alle LED's rood worden (of oranje voor de Gold Edition) en laat de knop vervolgens los.

- ES**
1. Desenchufe Twinkly de la toma de corriente, presione y mantenga presionado el botón del controlador.
 2. Mientras todavía sigue presionando el botón, conecte de nuevo Twinkly a la corriente.
 3. Mantenga presionado el botón hasta que todos los LED se vuelvan rojos (o ámbar para Gold Edition), luego suelte el botón.

2.



3.



- PT**
1. Desligar Twinkly da tomada elétrica. Manter premido o botão controlador.
 2. Enquanto mantém premido o botão, ligar Twinkly.
 3. Manter premido o botão até todos os LEDs ficarem vermelhos (ou âmbar para Gold Edition), depois soltar o botão.

- DA**
1. Træk Twinkly ud af stikkontakten. Tryk og hold kontrolknappen nede.
 2. Mens du holder knappen nede, skal du tilslutte Twinkly.
 3. Bliv ved med at holde knappen nede, indtil alle lysdioder lyser rødt (eller gult ved Gold Edition), og slip derefter knappen.

- FI**
1. Irrota Twinkly pistorasiasta. Paina säätimen painiketta pitkään.
 2. Pidä painiketta painettuna ja kytke Twinkly pistorasiaan.
 3. Pidä painiketta edelleen painettuna, kunnes kaikki LEDit muuttuvat punaisiksi (tai kullannuskeiksi Gold Edition -versioissa), ja vapauta sitten painike.

- SV**
1. Koppla ur Twinkly från eluttaget. Tryck på styrenhetsknappen och håll nedtryckt.
 2. Anslut Twinkly medan knappen är nedtryckt.
 3. Fortsätt hålla knappen nedtryckt tills alla LED-lampor lyser rött (eller gult i guldversionen) och släpp sedan knappen.

- NO**
1. Koble Twinkly fra stikkontakten. Trykk og hold inne kontrollknappen.
 2. Mens du holder inne knappen, kobler du til Twinkly.
 3. Fortsett å holde knappen inne til alle lysdioder blir røde (eller gul for Gold Edition), og slipp deretter knappen.

- IS**
1. Taktu Twinkly úr sambandi úr rafmagn. Ýttu á og haltu niðri hnappinum á stýringunni.
 2. Settu Twinkly í samband á meðan þú heldur hnappinum niðri.
 3. Haltu hnappinum áfram niðri þar til öll LED ljósín verða rauð (eða rafgul fyrir Gold Edition). Slepptu síðan hnappinum.

- SL**
1. Lučke Twinkly odklopite iz vtičnice. Pritisnite in pridržite gumb na upravljalniku.
 2. Medtem ko držite gumb, priklopite lučke Twinkly.
 3. Držite gumb, dokler vse lučke LED ne svetijo rdeče (oziroma oranžno pri različici Gold Edition), nato pa spustite gumb.

- SK**
1. Odpojte Twinkly zo sieťovej zásuvky. Stlačte a podržte ovládacie tlačidlo.
 2. Držte stlačené tlačidlo a zapojte Twinkly.
 3. Držte tlačidlo stlačené, kým všetky LED nesvietia načerveno (alebo žlté pre Gold Edition), potom tlačidlo pusťte.

- CS**
1. Odpojte Twinkly ze zásuvky. Stiskněte a podržte ovládací tlačítko.
 2. Přidržte tlačítko a zapojte Twinkly.
 3. Držte tlačítko stisknuté, dokud všechny LED diody nezčervenají (nebo se nezmění na jantarovou barvu ve verzi Gold Edition), poté tlačítko uvolněte.

- HU**
1. Húzza ki Twinkly csatlakozót a konnektorból. Nyomja le és tartsa nyomva a vezérlő gombot.
 2. Miközben lenyomva tartja a gombot, csatlakoztassa a Twinkly-t.
 3. Tartsa továbbra is lenyomva a gombot, amíg az összes LED pirosra nem vált (vagy a Gold Edition esetében borostyánsárga színre), majd engedje fel a gombot.

- RO**
1. Deconectează Twinkly de la priză. Apasă și menține apăsat butonul controlerului.
 2. În timp ce menții apăsat butonul, conectează Twinkly.
 3. Ține apăsat butonul până când toate LED-urile devin roșii (sau chihlimbar pentru Gold Edition), apoi dă drumul butonului.

- BG**
1. Изключете Twinkly от електрическия контакт. Натиснете и задръжте бутона на контролера.
 2. Докато държите бутона, включете Twinkly.
 3. Задръжте бутона, докато всички светодиоди станат червени (или хелибарени за Gold Edition), след което отпуснете бутона.

- HR**
1. Isključite Twinkly iz utičnice. Pritisnite i držite gumb kontrolera.
 2. Dok držite gumb, uključite Twinkly.
 3. Držite gumb dok sve LED diode ne postanu crvene (ili jantarne za Gold Edition), a zatim otpustite gumb.

- GR**
1. Αποσυνδέστε το Twinkly από την πρίζα. Πατήστε και κρατήστε πατημένο το κουμπί του χειριστήριου.
 2. Ενώ κρατάτε πατημένο το κουμπί, συνδέστε το Twinkly στην πρίζα.
 3. Κρατήστε πατημένο το κουμπί μέχρι όλες οι λυχνίες LED να γίνουν κόκκινες (ή πορτοκαλί για την έκδοση Gold Edition) και, στη συνέχεια, αφήστε το κουμπί.

- TR**
1. Twinkly'nin fişini prizden çekin. Kumanda düğmesine basın ve basılı tutun.
 2. Düğmeyi basılı tutarken Twinkly'yi prize takın.
 3. Tüm LED'ler kırmızıya (veya Gold Edition için kehribar rengine) dönene kadar düğmeyi basılı tutun, ardından düğmeyi bırakın.

- PL**
1. Wyłącz Twinkly z gniazda elektrycznego. Naciśnij i przytrzymaj wciśnięty przycisk sterownika.
 2. Przytrzymując przycisk, podłącz ponownie Twinkly do prądu.
 3. Przytrzymaj wciśnięty przycisk, aż wszystkie DIODY zmienią kolor na czerwony (lub żółty w przypadku Gold Edition), a następnie zwolnij przycisk.

- UA**
1. Від'єднайте Twinkly від електромережі. Натисніть і утримуйте кнопку на контролері.
 2. Утримуючи кнопку натиснутою, підключіть Twinkly до електромережі.
 3. Продовжуйте утримувати цю кнопку, доки всі світлодіоди не запалаять червоним кольором (або бурштиновим, якщо у вас Gold Edition). Після цього відпустіть кнопку.

- RU**
1. Отключите Twinkly от розетки. Нажмите и удерживайте кнопку контроллера.
 2. Удерживая кнопку, вновь подключите Twinkly к сети.
 3. Удерживайте кнопку, пока все светодиоды не загорятся красным (или желтым для Gold Edition), затем отпустите кнопку.

- JP**
1. Twinklyを電源ソケットから抜く。コントローラーのボタンを押し続ける。
 2. ボタンを押したまま、Twinklyを接続します。
 3. すべてのLEDが赤色 (Gold Editionは琥珀色) になるまでボタンを押し続け、ボタンを離す。

- KR**
1. 전원 소켓에서 Twinkly의 플러그를 뽑습니다. 컨트롤러 버튼을 길게 누릅니다.
 2. 버튼을 누른 상태에서 Twinkly를 꽂습니다.
 3. 모든 LED가 빨간색(골드 에디션의 경우 호박색)으로 바뀔 때까지 버튼을 누르고 있다가 버튼을 놓습니다.

RGB

TWW210STP-TEU	TWW210STP-TCH	TWW210STP-TUK	TWW210STP-TUS	TWW210STP-TAU
---------------	---------------	---------------	---------------	---------------

RGB+W

TWW210SPP-TEU	TWW210SPP-TCH	TWW210SPP-TUK	TWW210SPP-TUS	TWW210SPP-TAU
TWW400SPP-TEU	TWW400SPP-TCH	TWW400SPP-TUK	TWW400SPP-TUS	TWW400SPP-TAU





 help.twinkly.com

MORE INFO | ULTERIORI INFORMAZIONI | PLUS D'INFORMATIONS | MEHR INFO | MEER INFORMATIE | MÁS INFORMACIÓN | MAIS INFORMAÇÕES | FLERE
OPLYSNINGER | LISÄTIETOJA | MER INFORMATION | MER INFORMASJON | FREKARI UPPLÝSINGAR | VEČ INFORMACIJ | VIAC INFORMÁCIÍ | VÍCE INFORMACÍ
| TOVÁBBI INFORMÁCIÓK | MAI MULTE INFORMAȚII | ПОВЕЧЕ ИНФОРМАЦИЯ | VIŠE INFORMACIJA | ΠΕΡΙΣΣΟΤΕΡΕΣ ΠΛΗΡΟΦΟΡΙΕΣ | DAHA FAZLA BILGI |
WIĘCEJ INFORMACJI | ОДАТКОВІ ВІДОМОСТІ | ОПОЛНИТЕЛЬНЫЕ СВЕДЕНИЯ | 詳細 | 자세한 정보

FCC ID: 2AC7Z-ESP32WROOM32E