



2023-11

## AL-8M-033

### Product Datasheet

## Properties

LED Compatibility [distribution angle 6°~12°]

6.80×6.80mm, flat top

UV-A | Visible | Infrared

Material: ASR-A80MC Clear Silicone

A80/S±5 hardness

ROHS3 Compliant

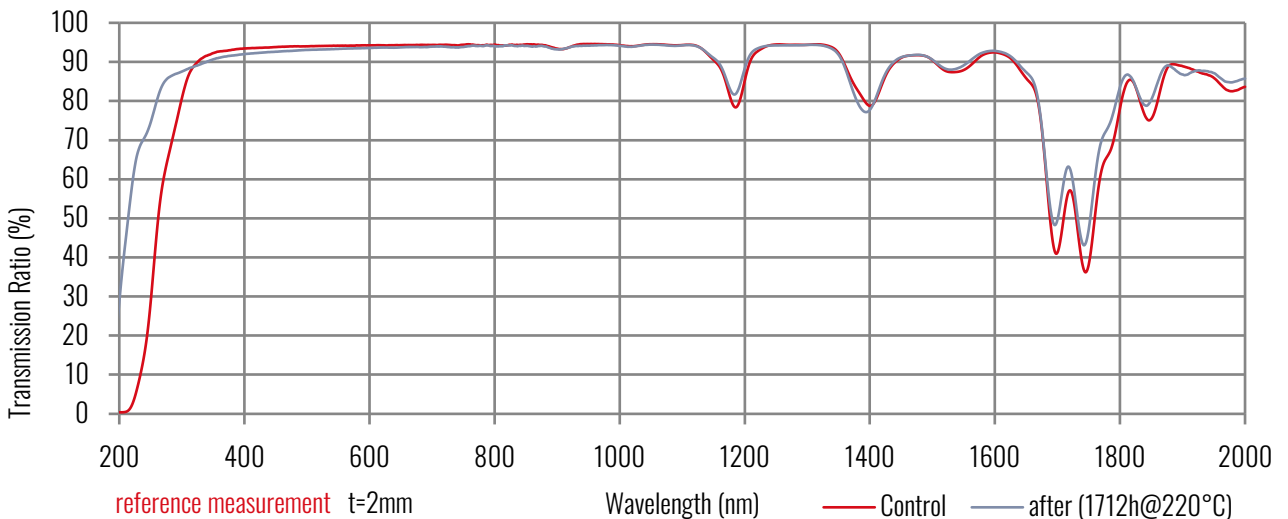
Refractive index 1.41±0.03  
(25°C, D-line 589nm)

REACH Unaffected

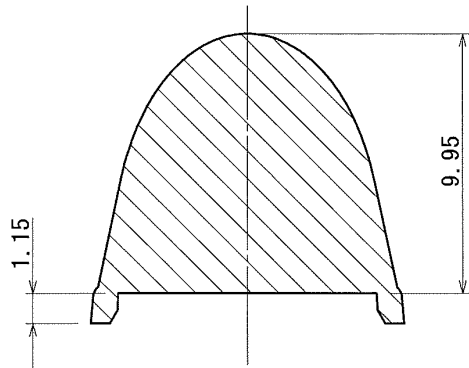
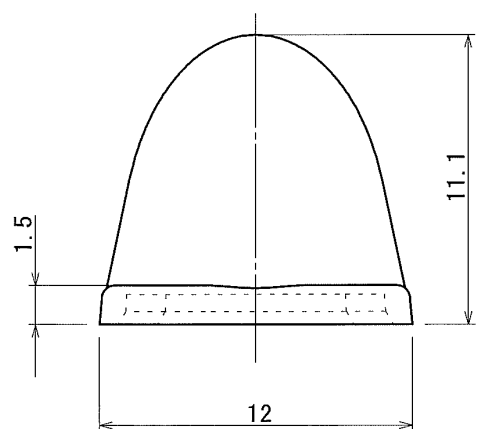
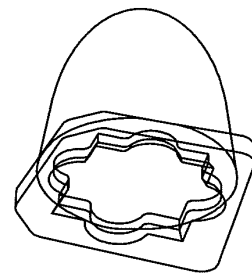
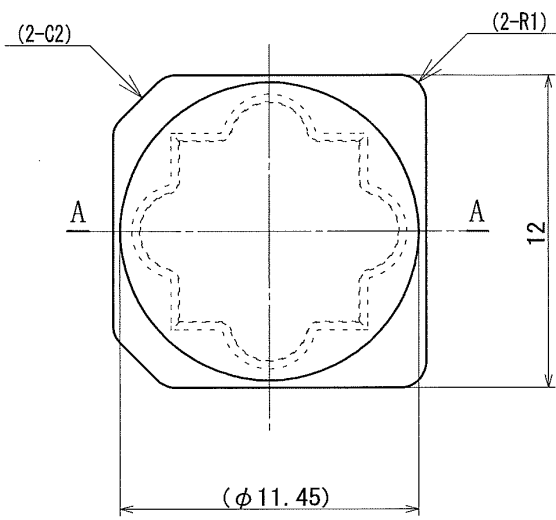


Test Type	Test Method	Test Conditions	Period	Appearance	Change in Transmittance $\Delta T$ (%)	Yellowing $\Delta YI$
Thermal Shock	JEITA ED-4701 300 307	-40°C > 120°C 15min 15 min	500 cycles	No cracks or other defects	0.32	1.09
High Temperature Storage	JEITA ED-4701 200 201	Ta=150°C	1000hr	No cracks or other defects	0.69	1.55
High Temp and Humidity Storage	JEITA ED-4701 100 103	Ta=85°C RH=85%	1000hr	No cracks or other defects	0.99	0.76
Low Temperature Storage	JEITA ED-4701 200 202	Ta=-40°C	1000hr	No cracks or other defects	0.45	0.06
Solvent Resistance	JEITA ED-4701 500 501	Solvent: IPA 20-25°C 5 minutes	1 time	No cracks or other defects	-	-

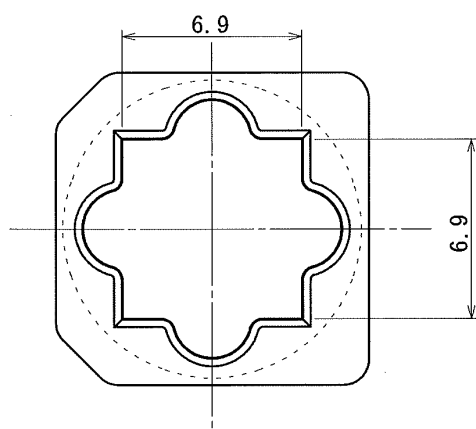
Drop Test	-	Drop on 20mm steel plate from 1m	5 times	No cracks or other defects	-	-
-----------	---	----------------------------------	---------	----------------------------	---	---



○ SPECIFICATIONS <仕様図>	SURFACE TREATMENT <表面処理>	SYM	DATE	REVISION	REVR	APPR
	HEAT TREATMENT <熱処理>	△ <sup>1</sup> ×				
	FINISH <仕上げ>	△ <sup>2</sup> ×				
REFERENCE <参考図>		△ <sup>3</sup> ×				



A-A断面図



NOTE)

一般寸法公差: ±0.1

100  
90  
80  
70  
60  
50  
40  
30  
20  
10  
0

TOLERANCE UNLESS SPECIFIED			ORIGINAL DATE 2013/9/2	MATERIAL (COMPOUND)	TITLE AL-8M-033 製品図
RANGE	A	B	C	SCALE 4:1	UNIT mm
LESS THAN 6	±0.2	±0.1	±0.1	SIZE A4	3RD ANGLE SYSTEM
OVER 6 TO 20	±0.3	±0.2	±0.1	HARDNESS	
OVER 20 TO 50	±0.5	±0.3	±0.2	DRAWING NO. 13090202M	
OVER 50 TO 100	±1.0	±0.5	±0.3	DESIGN	DRAWN
OVER 100 TO 300	±2.0	±1.0	±0.5	T. Motoyanagi	T. Motoyanagi
OVER 300 TO 500	±5.0	±2.5	±1.0	CHECKED	APPROVED
ANGLE	±2°		T. Kanahira		M. Tasaki

**ASAHI RUBBER INC.**  
株式会社朝日ラバー



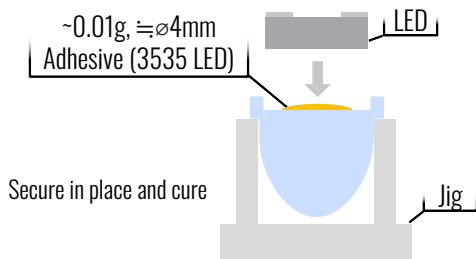
2023-11

# AL-8M-033

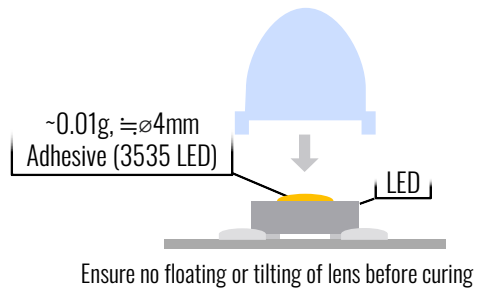
## Product Datasheet

# Attachment Guide

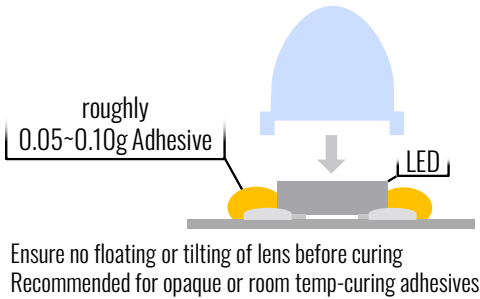
### 1. LED to Lens Adhesion (Recommended)



### 2. Lens to Mounted LED Adhesion



### 3. Lens to PCB Adhesion



Ensure your selected adhesive:

#### (Types 1 and 2)

- Has appropriate transparency
- Does not yellow

#### (Type 3)

- Has high viscosity

#### (All Cases)

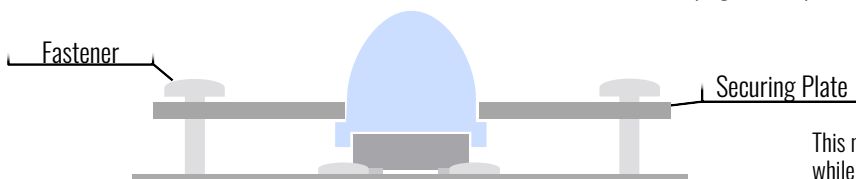
- Is silicone based
- Has low siloxane levels
- Has appropriate strength
- Is compatible with your processes

Adhesive Recommendations			
Maker	Dow Corning	Momentive	Shin-Etsu Silicone
Product Number	SE9186L	TSE3221S	X-32-1964
Cure Condition	20°C, 55%×6h (Room Temp Cure)	100°C×3h -or- 130°C×1h	100°C×3h
Viscosity	25 Pa·s	58 Pa·s	0.025 Pa·s
Type	Room Temp Cure (1 Component)	Heat Cure (1 Component)	Heat Cure (1 Component)
Adhesion Method	Lens to PCB (3)	LED to Lens / Lens to LED (1, 2)	

### 4. Mechanical

Secure a plate with a hole of ~5% larger diameter than the lens optic, fitted over the lens

Care must be taken to ensure no scraping or other physical damage to the lens optic when mounting



This method allows easier lens replacement while preserving the LED, where desired

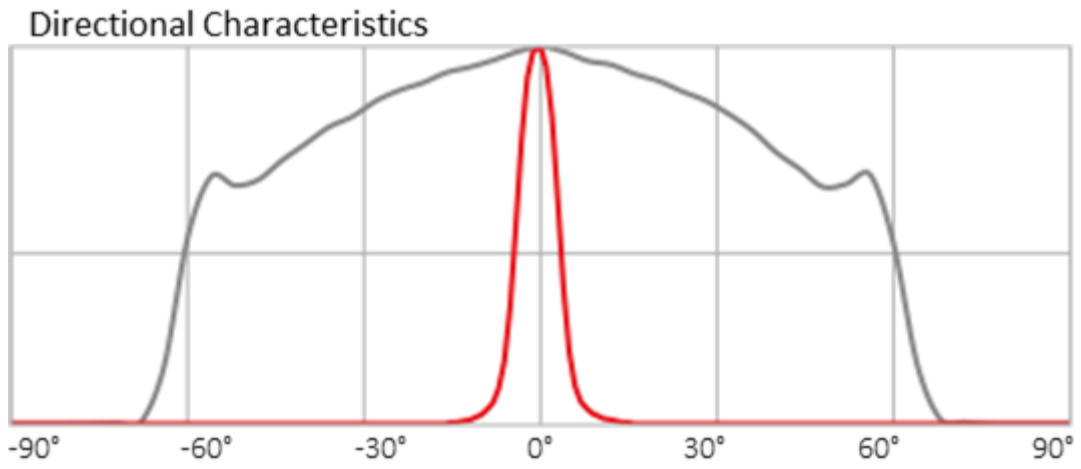


2023-11

# AL-8M-033

Product Datasheet

## Photometrics



Directivity with NSCU033B ~8°

## Silicone Rubber (ASR-A80MC) UV Durability Testing

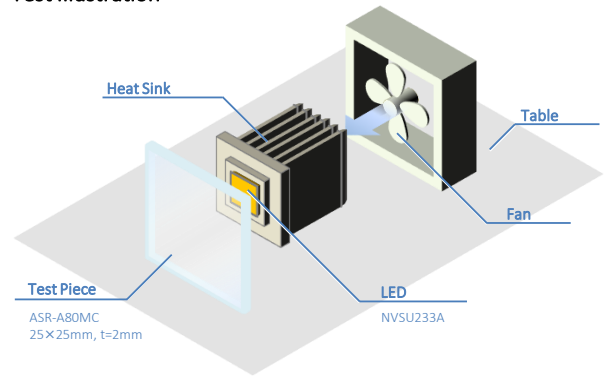
### Test Method

UV-LED lit for extended duration; collected pre- and post-test transmittance data compared.

### Test Description

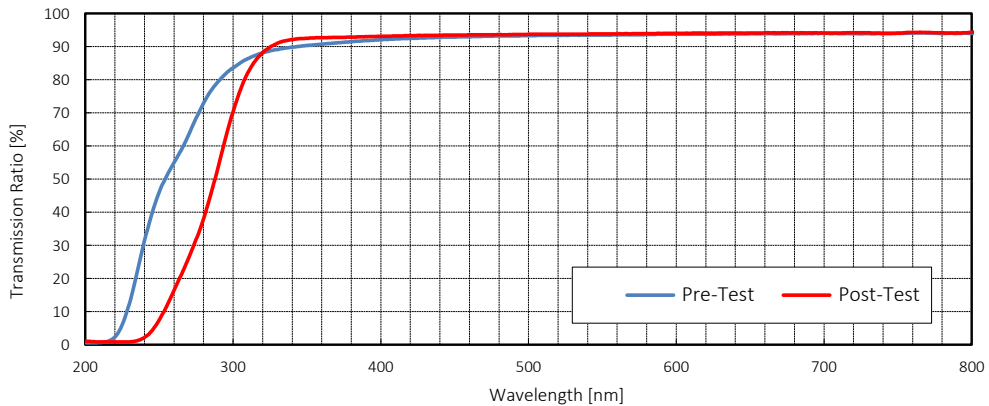
<b>LED Package</b>	Nichia NVSU233A (365nm)
<b>Drive Current</b>	1.4A (specification max)
<b>Radiant Flux</b>	1442mW (Nichia reference value)
<b>Cooling</b>	Heat sink with forced air
<b>Ambient Temp.</b>	25°C
<b>Duration</b>	6300 Hours
<b>Distance</b>	~2mm between LED and test piece

### Test Illustration



### Measured Results (Change in Transmittance)

Some loss in transmittance below 320nm was observed. Conversely, increase in transmittance observed in 320nm~460nm range.



### Summary

- From ~320nm boundary, transmittance decreases in shorter wavelengths, yet increases in longer wavelengths.
- UV irradiation clearly causes a change in the optical qualities of the material; whether this can be considered degradation or long-duration curing of a sort depends on one's viewpoint.
- The material can be considered highly UV-durable at a reference wavelength of 365nm.